

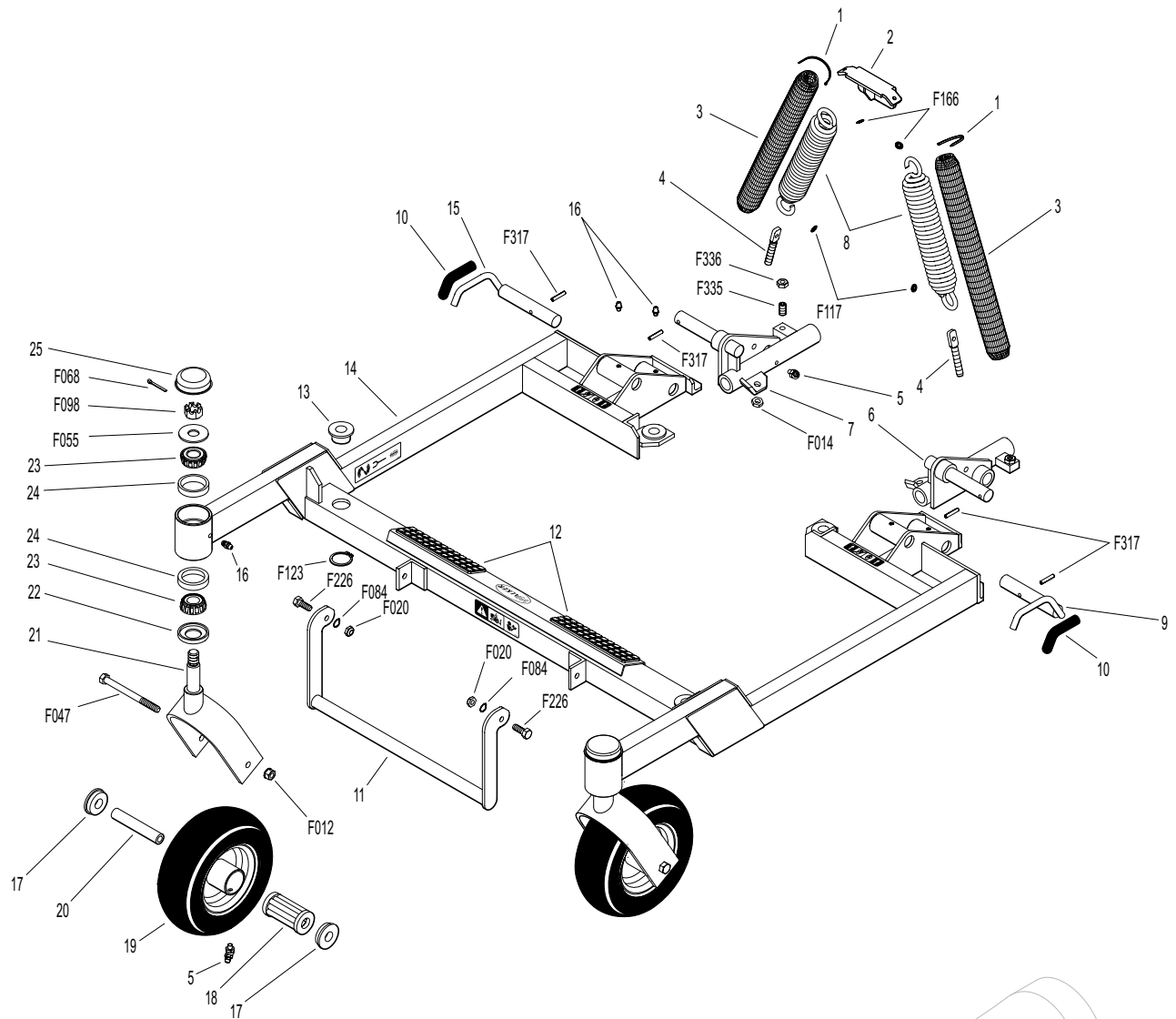
DGHS48RE DECK ASSEMBLY (P/N 7702-5)

ITEM NO.	PART NO.	DESCRIPTION	NO. REQ'D	ITEM NO.	PART NO.	DESCRIPTION	NO. REQ'D
Gearbox and Drive Components				32	7775-1	Hitch Pin, LH (Silver) #6	2
1	8618-1	Cover, PTO Shaft Guard	1	33	8735-10	Rubber Mat (5 x 6)	2
2	8619	PTO Shaft Guard	1	34	8788-1	Rubber Mat (1 x 2)	1
	8618	PTO Shaft Guard Assembly (Includes Items # 1, 2, F002 & F025)	*	35	7702-4	48RE GHS Deck Housing (Includes Items # 33 & 34)	1
3	7285-15	U-Joint Shaft Assy, 90 Degree, Spline (Includes Items # 24, F069 & F295)	1	36	7775-2	Hitch Pin, RH (Gold) #6	2
4	7275-16	U-Joint Tube Assy, Spline	1	37	5727-1	Washer Shim (5/8 ID)	4
5	5794	48 GHS Discharge Chute W/O Spring (Includes Items # 5, 9, 10, F223 & F224)	1	Fasteners			
	5794-1	Discharge Chute Assembly with Spring Mount (Includes Items # 5, 7, 9, 10, F223 & F224)	*	F002	10-24 Keps Nut		9
6	5704-83	Gearbox and Tube Assembly (Includes Items # 11-19, F124, F136, F179, F211 & F229)	1	F004	1/4-20 Keps Nut		2
7	8678	Spring Mount, Chute	1	F005	1/4-20 ESNA Nut		2
8	8677	Extension Spring (1 x 6-1/16)	1	F013	3/8-16 Whiz Locknut		2
9	5726	Chute Hinge (2 x 8)	1	F018	5/8-18 Hex Nut		2
10	8494-9	Reinforcing Plate	2	F025	10-24 x 3/8 PPHMS		2
11	6054	Spline Coupling	4	F029	1/4-20 x 1/2 Hex Bolt		2
12	P007	Gasket, Cap (Peerless #788030)	4	F036	1/4-20 x 1/2 SBH Screw		2
13	5066	Gearbox Connector Tube (9-5/16)	1	F038	3/8-16 x 1 Hex Bolt		4
14	6732-6	Connecting Shaft (7")	1	F050	1/4 SAE Washer		4
15	5052-5	Heavy Duty Gearbox (LH Rotation)	2	F055	5/8 SAE Washer		2
16	5704-1	Gearbox Cover Support	2	F056	5/8 Split Lock Washer		2
17	7751-8	Tee Gearbox (1.2:1 Ratio)	1	F059	3/8 Wave Spring Washer		2
18	6732-2	Connecting Shaft (4-1/8)	1	F069	3/32 x 1/2 Cotter Pin		1
19	5061	Gearbox Connector Tube (6-11/16)	1	F087	#10 x 7/8 Fender Washer		2
20	5052-3	1.375 x .750 x .187 Washer	4	F129	10-24 x 1/2 PTHMS		3
21	5747-12	Rubber Mat (3 x 6)	2	F136	AN960C416L Washer		16
22	7785-3	48" Gearbox Cover (Includes Item # 21)	1	F179	1/4-20 x 1 Hex Bolt		4
23	5830	Grease Fitting	1	F202	10-24 x 5/8 SHC Screw, GR5 SS		4
24	8067-13	Shear Pin w/Cotter (Set of 5) (Includes Item # F069)	*	F206	#2 x 3/16 Drive Pin		2
Deck Housing Components				F211	1/4-20 x 7/8 Hex Bolt		12
25	8670	Tilt-Up Hook	1	F223	3/16 x 5/16 Semi-Tube Rivet		*
26	5162-11	Roller Wheel (5" Poly) (Includes Item # F059)	2	F224	3/16 x 7/16 Semi-Tube Rivet		*
27	8490	Roller Wheel Axle Bolt	2	F229	C-Clip (13/16)		4
28	NS	Deck Serial Number Plate	1	F246	1/4-20 x 1/2 PTHMS		2
29	7705-2	Blade, 25" (LH Rotation)	1	F278	3/8 Split Lock Washer		4
	7705-3	48 GHS Blade Set with Hubs (Includes Items # 29-31, F002 & F202)	*	F295	3/16 x 1-1/2 Split Spring Pin		1
30	5706	Blade Hub & Trash Guard	2	F403	1/4-20 x 1/2 PTHMS, SS		2
31	7705-1	Blade, 25" (RH Rotation)	1	* Service Part Only			

48RE INCH COMPLETE CARRIER FRAME ASSEMBLY (P/N 7700-3)

ITEM NO.	PART NO.	DESCRIPTION	NO. REQ'D	ITEM NO.	PART NO.	DESCRIPTION	NO. REQ'D
Spring and Pivot Mount Components				Fasteners			
1	5975-3	Cable Tie (50# x 7")	4	F012		3/8-16 Keps Nut	2
2	5744-1	Spring Clip Bracket	1	F014		3/8-16 ESNA Nut	2
3	5743-1	Spring Cover	2	F020		5/16-18 ESNA Nut	2
4	5743-3	Eyebolt (3/8-16 x 2)	2	F047		3/8-16 x 4-1/2 Hex Bolt	2
5	5830-3	Grease Fitting (45 Degree)	4	F055		5/8 SAE Washer	2
6	8667-10	Pivot Mount, LH/Adj.	1	F068		1/8 x 1 Cotter Pin	2
7	8667-20	Pivot Mount, RH/Adj.	1	F084		5/16 Wave Spring Washer	2
8	5743-6	Extension Spring (1-1/2 x 7-3/4) (Includes Items # 1, F117 & F166)	2	F098		5/8-18 Slotted Hex Nut	2
Carrier Frame Components				F117		Retainer Ring	2
9	8674-11	Lever, Deck Lock, LH	1	F123		1" External Snap Ring	4
10	7406-1	Handle Grip (Red)	2	F166		Retainer Ring	4
11	8669-5	DGHS48R Lift Handle	1	F226		5/16-18 x 7/8 Hex Bolt	2
12	5748-10	Rubber Mat (1-1/2 x 6)	2	F317		3/16 x 1 Split Spring Pin	4
13	5740-2	Deck Pin Bushing (5/8)	4	F335		3/8-16 x 7/8 Set Screw, SS	2
14	8661-5	48RE Carrier Frame (Less Pivots) (Includes Item # 12)	1	F336		3/8-16 Jam Nut	2
	8661-4	48RE Carrier Frame w/Forks (Less Pivots) * (Includes Items # 12, 21-23, 25, F055, F068 & F098)	*	* Service Part Only			
15	8674-10	Lever, Deck Lock, RH	1	** May be ordered as a factory-installed option or as a kit for dealer installation. Contact your Walker dealer.			
16	5830	Grease Fitting	6				
Caster Wheel Components							
17	5714-7	Bearing Cap	4				
18	5714-5	Bearing, Caster Wheel	2				
19	5715-4	Caster Wheel, Pneumatic (8 x 3.00-4) (Includes Items # 5, 17 & 18)	2				
	5715-10	Tire, Pneumatic (8 x 3.00-4)	*				
	5715-9	Tire Tube, Pneumatic (2.80/2.50-4)	*				
	5715-3	Caster Wheel & Tire/No-Flat (8 x 3.00-4)	**				
	5715-11	Tire, Caster Wheel/No-Flat (8 x 3.00-4)	**				
20	5714-3	Axle Spacer Tube	2				
21	5770-1	Caster Wheel Fork	2				
22	8768-1	Seal (1-3/4 x 1-1/8)	2				
23	8037	Bearing Cone (3/4 ID)	4				
24	8769-1	Bearing Cup (1-3/4 x 1-7/16)	4				
25	8769-9	Dust Cap, Deck Caster	2				

48RE INCH COMPLETE CARRIER FRAME ASSEMBLY (P/N 7700-3)



Refer to DGHS48RE
DECK ASSEMBLY