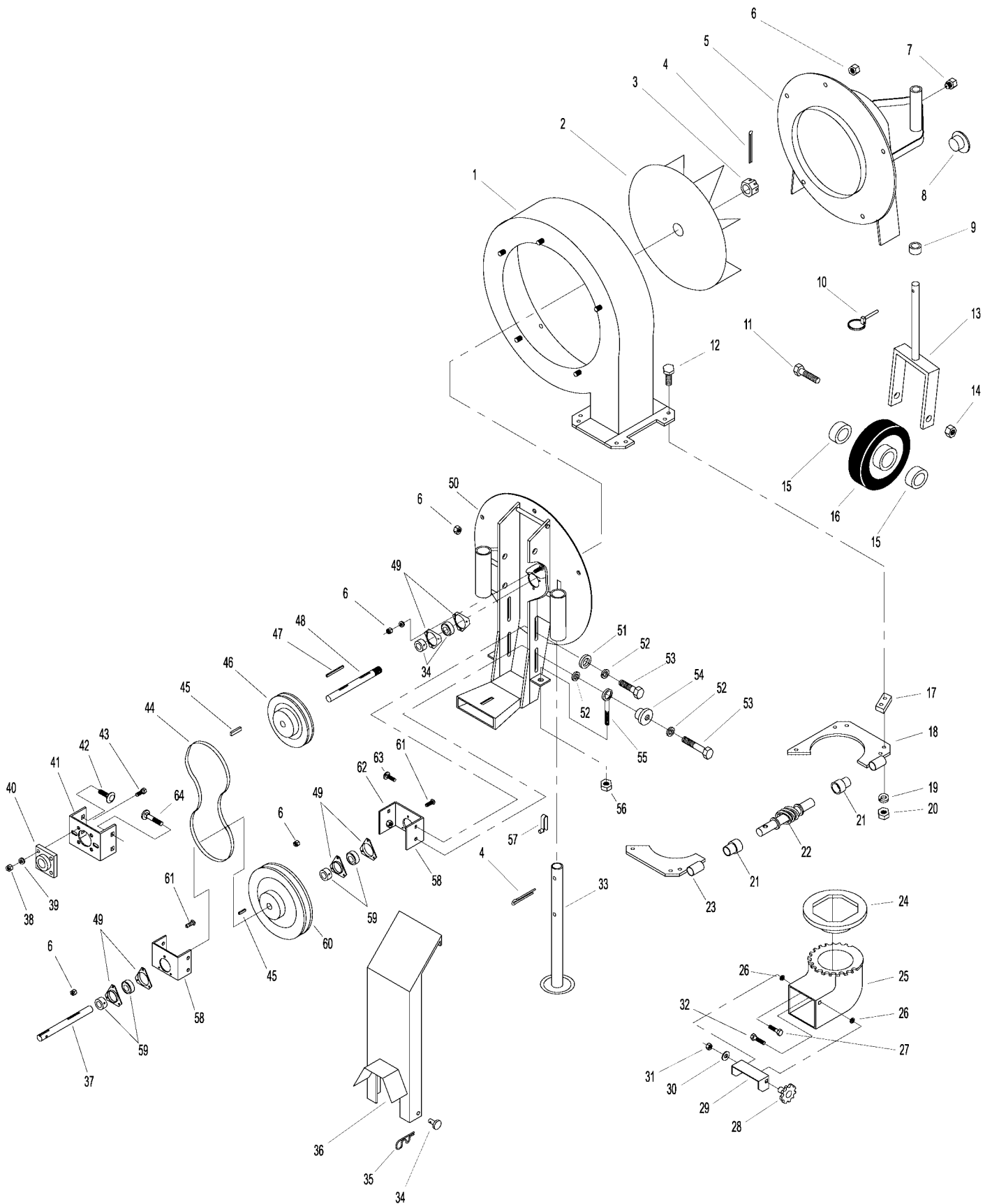


# DEBRIS BLOWER COMPONENTS

| ITEM NO.                        | PART NO. | DESCRIPTION                          | NO. REQ'D | ITEM NO.  | PART NO. | DESCRIPTION                         | NO. REQ'D |
|---------------------------------|----------|--------------------------------------|-----------|---|----------|-------------------------------------|-----------|
| <b>Debris Blower Components</b> |          |                                      |           | 40  | I452     | Bearing                             | 1         |
| 1                               | I402     | Impeller Housing                     | 1         | 41  | NS       | Upper Bearing Support (RAD 662713)  | 1         |
| 2                               | NS       | Impeller (RAD 662644)                | 1         | 42  | O/L      | 5/16-NC x 1 Carriage Bolt           | 2         |
| 3                               | NS       | 1-14 Castel Nut (RAD 654988)         | 1         | 43  | O/L      | 7/16-NC x 1-1/4 Hex Bolt            | 4         |
| 4                               | O/L      | 3/16 x 2 Cotter Pin                  | 3         | 44  | NS       | V-Belt AM33 (RAD 663458)            | 1         |
| 5                               | NS       | Intake Cover (RAD 662646)            | 1         | 45  | I162     | Key, 1/4 x 1/4 x 1                  | 2         |
| 6                               | O/L      | 5/16-NC Flange Nut                   | 23        | 46  | I461     | Pulley MA38                         | 1         |
| 7                               | 5830     | Grease Fitting                       | 1         | 47  | NS       | Key, 1/4 x 1/4 x 2-1/2 (RAD 660924) | 1         |
| 8                               | NS       | Cap (RAD 662825)                     | 2         | 48  | I459     | Shaft, 1 x 12-11/16                 | 1         |
| 9                               | NS       | Wheel Support Spacer (RAD 662737)    | 1         | 49  | I120     | Flange Bearing                      | 6         |
| 10                              | O/L      | 5/16 Linchpin                        | 1         | 50  | NS       | Housing (RAD 662643)                | 1         |
| 11                              | O/L      | 5/8-NC x 5-1/2 Hex Bolt              | 1         | 51  | O/L      | 7/16 ID Flat Washer                 | 4         |
| 12                              | O/L      | 1/4-NC x 1 Hex Bolt                  | 8         | 52  | O/L      | 3/8 Lock Washer                     | 4         |
| 13                              | NS       | Wheel Support (RAD 662642)           | 1         | 53  | O/L      | 3/8-NC x 2 Hex Bolt                 | 2         |
| 14                              | O/L      | 5/8-NC Locknut                       | 1         | 54  | NS       | Eyebolt Spacer (RAD 663043)         | 2         |
| 15                              | NS       | Wheel Spacer (RAD 662822)            | 2         | 55  | NS       | 5/16-NC x 4 Eyebolt (RAD 663273)    | 2         |
| 16                              | I426     | Wheel and Tire Assembly              | 1         | 56  | O/L      | 5/16-NC Nylon Locknut               | 2         |
| 17                              | NS       | Rotation Spacer (RAD 661498)         | 4         | 57  | NS       | Snap Button (RAD 663601)            | 2         |
| 18                              | NS       | Rotation Bracket (RAD 663096)        | 1         | 58  | NS       | Lower Brg Support, Ext (RAD 663296) | 1         |
| 19                              | O/L      | 1/4 Lock Washer                      | 8         | 59  | 5609     | 1" Brg w/Locking Collar             | 3         |
| 20                              | O/L      | 1/4-NC Hex Nut                       | 8         | 60  | NS       | Pulley MA53 (RAD 663457)            | 1         |
| 21                              | I186     | Plastic Bushing, 1-11/16             | 2         | 61  | O/L      | 5/16-NC x 3/4 Carriage Bolt         | 9         |
| 22                              | NS       | Worm (RAD 663503)                    | 1         | 62  | NS       | Lower Brg Support, Int (RAD 663382) | 1         |
| 23                              | NS       | Retaining Plate (RAD 661508)         | 1         | 63  | O/L      | 3/8-NC x 1-1/4 Carriage Bolt        | 2         |
| 24                              | I183     | Nylon Ring                           | 1         | 64  | O/L      | 5/16-NC x 1-1/4 Carriage Bolt       | 2         |
| 25                              | NS       | Air Blast Nozzle (RAD 662672)        | 1         | <b>NOTE:</b> Decals are illustrated in greater detail in the Owner's section of this manual. Refer to <b>SAFETY, CONTROL, AND INSTRUCTION DECALS</b> in <b>Safety Instructions</b> , Page 17. |          |                                     |           |
| 26                              | I172     | 7/16 ID Nylon Flat Washer            | 2         |   |          |                                     |           |
| 27                              | O/L      | 5/16-NC x 3/4 Carriage Bolt          | 1         | <b>NOTE:</b> All NS items are listed with a RAD Part Number (e.g., RAD 657383), and are not sold by Walker Manufacturing. To order these items, contact:                                      |          |                                     |           |
| 28                              | I170     | Knob, 5/16-18                        | 1         |   |          |                                     |           |
| 29                              | NS       | Deflector (RAD 662734)               | 1         |   |          |                                     |           |
| 30                              | O/L      | 11/32 Nylon Flat Washer (RAD 658467) | 1         |   |          |                                     |           |
| 31                              | O/L      | 5/16-NC Nylon Locknut                | 1         |   |          |                                     |           |
| 32                              | O/L      | 5/16-NC x 1 Carriage Bolt            | 1         |   |          |                                     |           |
| 33                              | NS       | Parking Stand (RAD 662648)           | 2         |   |          |                                     |           |
| 34                              | NS       | Cover Pin, 1/4 x 1/2 (RAD 662926)    | 2         |   |          |                                     |           |
| 35                              | O/L      | Hairpin, 5/64 x 1-5/8 (2mm x 41mm)   | 2         |   |          |                                     |           |
| 36                              | NS       | Belt Cover (RAD 662735)              | 1         |   |          |                                     |           |
| 37                              | I439     | Shaft, 1 x 7-3/8                     | 1         |   |          |                                     |           |
| 38                              | O/L      | 7/16-NC Hex Nut                      | 4         |   |          |                                     |           |
| 39                              | O/L      | 7/16 Lock Washer                     | 4         |   |          |                                     |           |

# DEBRIS BLOWER COMPONENTS



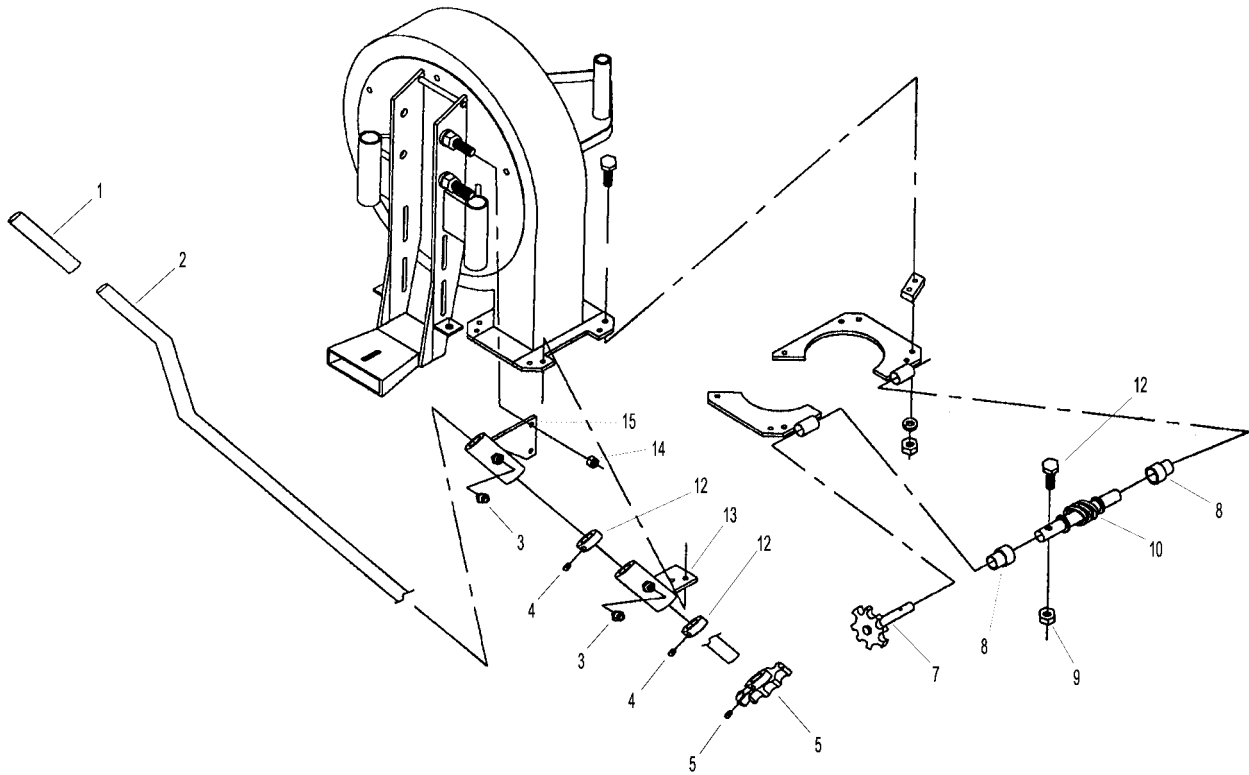
Effective Date 06-01-01

Use only genuine Walker® replacement parts.

# DEBRIS BLOWER MANUAL ROTATION COMPONENTS

| ITEM NO.  | PART NO. | DESCRIPTION                     | NO. REQ'D | ITEM NO.  | PART NO. | DESCRIPTION             | NO. REQ'D |
|---|----------|---------------------------------|-----------|---|----------|-------------------------|-----------|
| <b>Debris Blower Manual Rotation Components</b> |          |                                 |           | 15  | I406     | Handle Fixation Bracket | 1         |
| 1   | 7860     | Handle Grip                     | 1         | <p><b>NOTE:</b> Decals are illustrated in greater detail in the Owner's section of this manual. Refer to <b>SAFETY, CONTROL, AND INSTRUCTION DECALS</b> in <b>Safety Instructions</b>, Page 17.</p> <p><b>NOTE:</b> All NS items are listed with a RAD Part Number (e.g., RAD 657383), and are not sold by Walker Manufacturing. To order these items, contact:</p> |          |                         |           |
| 2   | NS       | Rotation Handle (RAD 663509)    | 1         |   |          |                         |           |
| 3   | 5830     | Grease Fitting                  | 2         |   |          |                         |           |
| 4   | O/L      | #8-32 x 1/8 Allen Set Screw     | 2         |   |          |                         |           |
| 5   | O/L      | 1/4-20 x 3/16 Allen Set Screw   | 2         |   |          |                         |           |
| 6   | I415     | Drive Sprocket                  | 1         |   |          |                         |           |
| 7   | I403     | Driven Sprocket                 | 1         |   |          |                         |           |
| 8   | I186     | 1-11/16 Plastic Bushing         | 2         |   |          |                         |           |
| 9   | O/L      | 1/4-NC Nylon Locknut            | 1         |   |          |                         |           |
| 10  | NS       | Rotation Worm (RAD 663503)      | 1         |   |          |                         |           |
| 11  | O/L      | 1/4-NC x 1-1/4 Hex Bolt         | 1         |   |          |                         |           |
| 12  | NS       | Adjustment Bushing (RAD 663332) | 2         |   |          |                         |           |
| 13  | I412     | Handle Rotation Guide           | 1         |   |          |                         |           |
| 14  | O/L      | 5/16-NC Flange Nut              | 2         |   |          |                         |           |

# DEBRIS BLOWER MANUAL ROTATION COMPONENTS



# KEY TO ABBREVIATIONS USED IN ILLUSTRATED PARTS MANUAL

| <i>Abbreviation</i> | <i>What it Represents</i>                                 |
|---------------------|---|
| ° (Dimension)       | Degrees (Angle)   |
| " (Dimension)       | inches  |
| cfm                 | cubic feet per minute                                     |
| cl                  | centiliters   |
| cm                  | centimeters   |
| Db                  | Decibels  |
| DC                  | Direct Current  |
| ESNA (Fastener)     | Nylon Insert Locknut                                      |
| fl. oz.             | fluid ounces  |
| FSC                 | Forward Speed Control                                     |
| ft                  | feet  |
| ft-lb               | foot-pounds   |
| GHS                 | Grass Handling System                                     |
| GR (Fastener)       | Grade   |
| HP                  | Horse Power   |
| ID                  | Identification or Inside Diameter                         |
| kg                  | kilograms   |
| km/h or kph         | kilometers per hour                                       |
| kPa                 | kilopascals   |
| lb                  | pounds  |
| lbf                 | poundals or pounds force                                  |
| LH                  | Left Hand (orientated with operator on seat)              |
| m                   | meters  |
| mm (Dimension)      | millimeters   |
| mph                 | miles per hour  |
| N                   | Newtons   |
| NC (Fastener)       | National Coarse   |
| NF (Fastener)       | National Fine   |
| NPT                 | National Pipe Thread                                      |
| NS (as part number) | Item is not sold by Walker Manufacturing                  |
| N·m                 | Newton-meters   |
| O/L                 | Obtain Locally (Item is not sold by Walker Manufacturing) |
| P/N                 | Part Number   |
| PPHMS (Fastener)    | Phillips Pan Head Machine Screw                           |
| PSI                 | Pounds Square Inch  |
| PTO                 | Power Take-Off  |
| RH                  | Right Hand (orientated with operator on seat)             |
| RPM                 | revolutions per minute                                    |
| SAE (Fastener)      | Society of Automotive Engineers                           |
| SBH (Fastener)      | Socket Button Head (Bolt)                                 |
| S/N                 | Serial Number   |
| U                   | Unified   |

**NOTE:** In some instances, combinations of abbreviations may be used (e.g. UNC - Unified National Coarse).