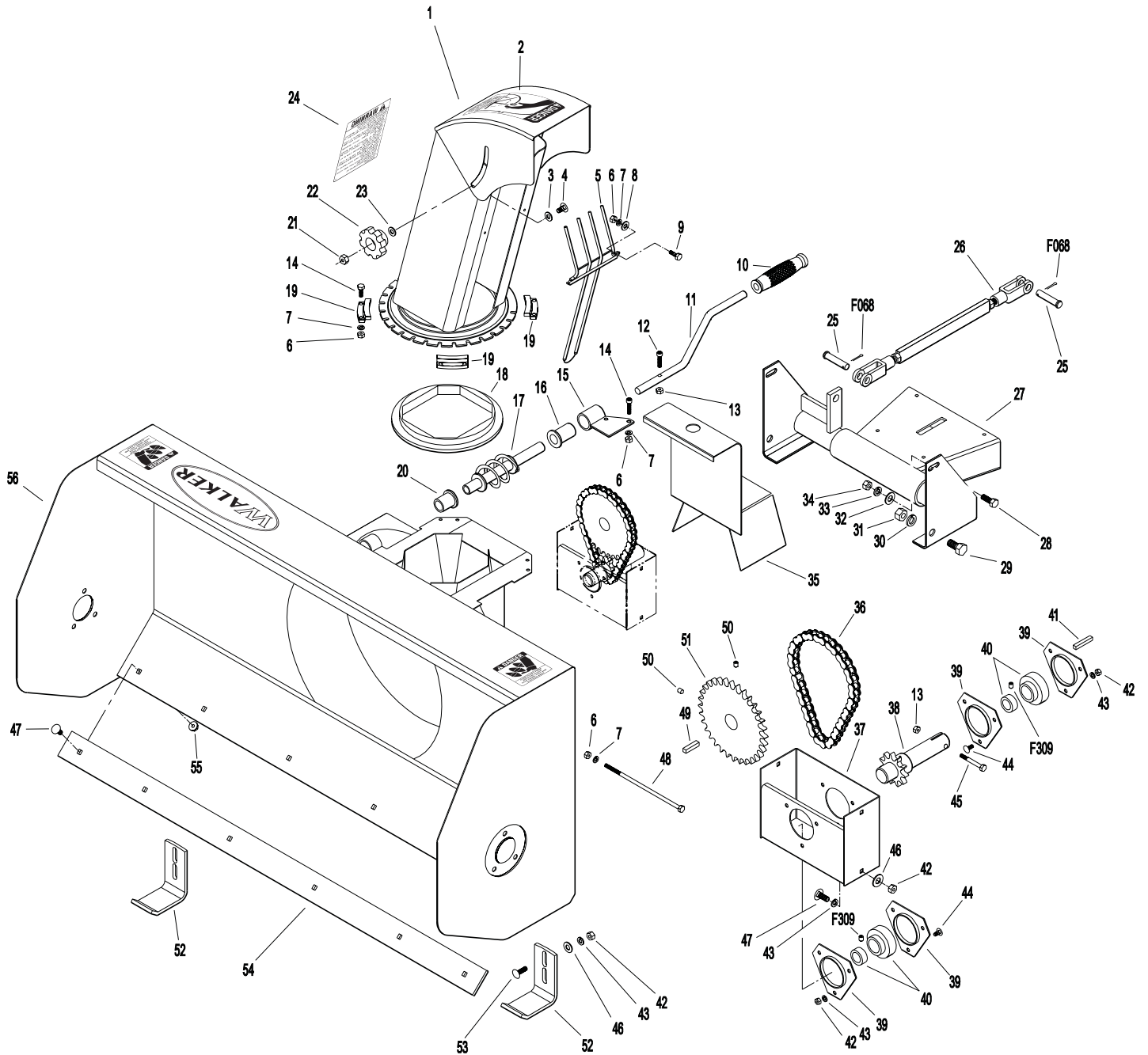


# SNOWBLOWER HOUSING COMPONENTS

ITEM NO.	PART NO.	DESCRIPTION	NO. REQ'D	ITEM NO.	PART NO.	DESCRIPTION	NO. REQ'D
<b>Chute Rotation Assembly</b>				<b>Reduction Box Assembly</b>			
1	NS	Chute, Base and Knobs (with Decals) (RAD 661168)	1	35	I196	PTO Guard	1
2	I396	Decal, Keep Hands Out	1	36	I163	40 x 38 Chain	1
3	I172	7/16 Nylon Washer	2	37	NS	Reduction Box (RAD 657355)	1
4	O/L	5/16-NC x 1 Carriage Bolt	2	38	I153	Drive Shaft (with Sprocket), H40C11	1
5	I175	Hand Guard	1	39	I120	Bearing Flange	4
6	O/L	1/4-NC Hex Nut	12	40	5609	Spindle Bearing & Collar (Includes Item # F309)	2
7	O/L	1/4 Lock Washer	12	41	I305	1/4 x 1/4 x 1-1/4 Key	1
8	O/L	5/16 ID Flat Washer	2	42	O/L	5/16-NC Hex Nut	14
9	O/L	1/4-NC x 3/4 Hex Bolt	2	43	O/L	5/16 Lock Washer	14
10	7860	Handle Grip	1	44	O/L	5/16-NC x 5/8 Carriage Bolt	6
11	I188	Handle (with Grip)	1	45	O/L	1/4-NC x 2-1/2 Hex Bolt	1
12	O/L	1/4-NC x 1 Allen Socket Head Cap Screw	1	46	O/L	3/8 ID Flat Washer	8
13	O/L	1/4-NC Nylon Locknut	2	47	O/L	5/16-NC x 3/4 Carriage Bolt	10
14	O/L	1/4-NC x 1/2 Hex Bolt	6	48	O/L	1/4-NC x 7-1/2 Hex Bolt	2
	O/L	1/4-NC x 3/4 Hex Bolt	2	49	I162	1/4 x 1/4 x 1 Key	1
15	I187	Support Rotation	1	50	O/L	Set Screw (5/16-NC x 1/2, Allen)	2
16	I186	1-11/16 Plastic Bushing	1	51	I161	Sprocket (H40B32)	1
17	I185	Rotation Worm	1	<b>Snowblower Frame Assembly</b>			
18	I183	Nylon Ring	1	52	I125	Skid Shoe	2
19	I180	Retaining Plate	4	53	O/L	5/16-NC x 1 Carriage Bolt	4
20	I184	1-5/16 Plastic Bushing	1	54	I122	Cutting Edge	1
21	O/L	5/16-NC Nylon Locknut	2	55	O/L	5/16-NC Stover Nut	6
22	I170	5/16-18 Knob	2	56	I206	Frame (RAD 661031)	1
23	I171	11/32 Nylon Washer	2	<b>Fasteners</b>			
24	I397	Decal, Safety Procedures	1		F068	1/8 x 1 Cotter Pin	2
<b>Snowblower Mount Assembly</b>					F309	1/4-28 x 1/4 Set Screw	2
25	6621-2	Clevis Pin (1/2 x 2)	2	<b>NOTE:</b> Decals are illustrated in greater detail in the Owner's section of this manual. Refer to <b>SAFETY, CONTROL, AND INSTRUCTION DECALS</b> in <b>Safety Instructions</b> , Page 17.			
26	6670-2	Parallel Bar Assembly	1	<b>NOTE:</b> All NS items are listed with a RAD Part Number (e.g., RAD 657383), and are not sold by Walker Manufacturing. To order these items, contact:			
27	6670-1	Snowblower Mount Assembly (Female)	1				
28	O/L	3/8-NC x 1 Hex Bolt	2				
29	O/L	1/2-NC x 1 Hex Bolt	2				
30	O/L	1/2 Lock Washer	2				
31	O/L	1/2-NC Hex Nut	2				
32	O/L	7/16 ID Flat Washer	2				
33	O/L	3/8 Lock Washer	2				
34	O/L	3/8-NC Hex Nut	2				

# SNOWBLOWER HOUSING COMPONENTS



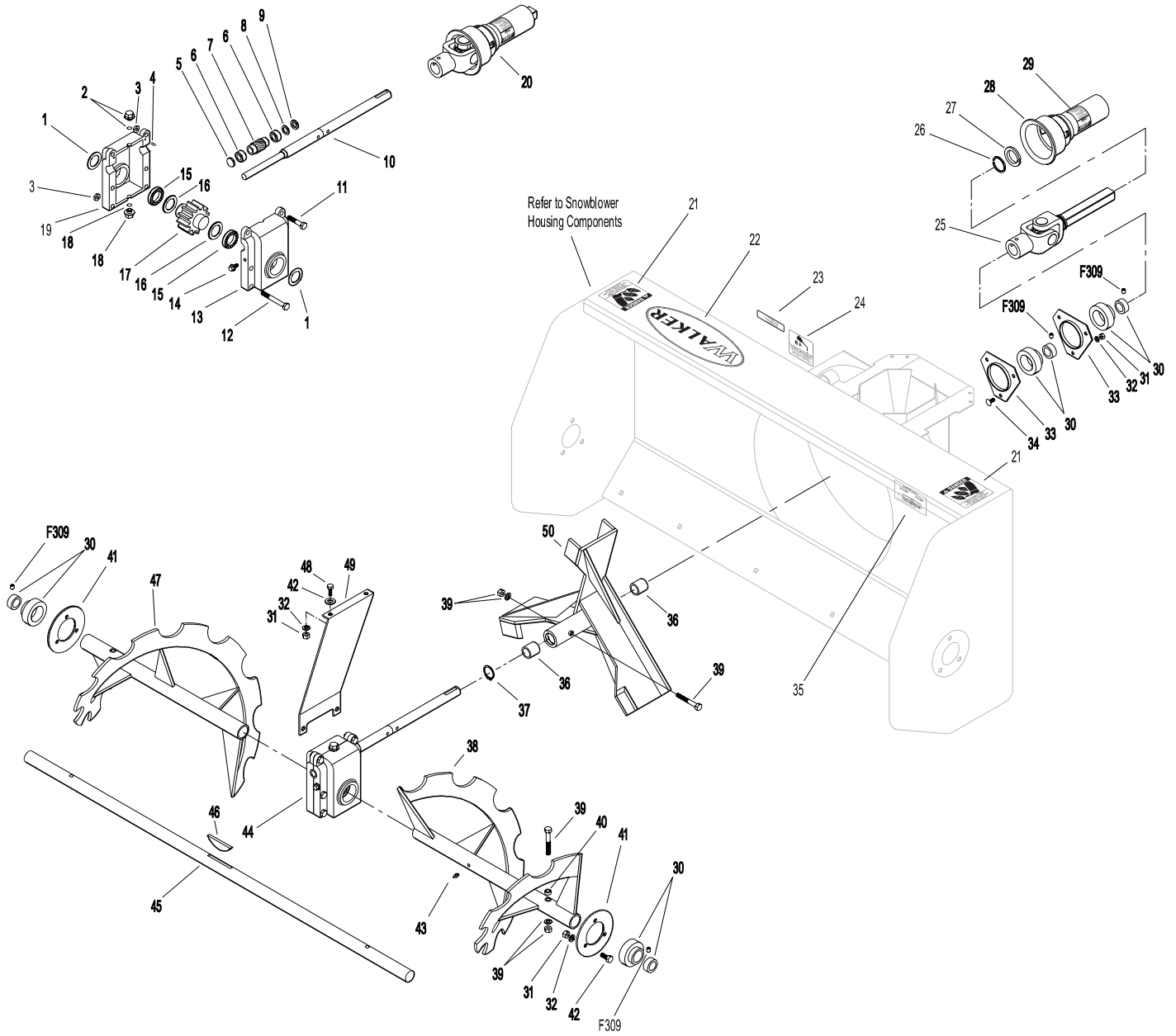
Effective Date 06-01-01

Use only genuine Walker® replacement parts.

# SNOWBLOWER DRIVE COMPONENTS

ITEM NO.	PART NO.	DESCRIPTION	NO. REQ'D	ITEM NO.	PART NO.	DESCRIPTION	NO. REQ'D
<b>Gearbox Assembly</b>				32	O/L	5/16 Lock Washer	12
1	I193	Double Lip Seal	2	33	I120	Bearing Flange	2
2	NS	Breather, 3/8 NPT & O-Ring (Comer) (RAD 661185)	1	34	O/L	5/16-NC x 3/4 Carriage Bolt	3
	NS	Pressure Plug, 1/8 NPT (Usimax) (RAD 654927)	1	35	NS	Decal, Use Shear Bolts (RAD 657346)	1
3	O/L	M8 Hex Nut	6	36	I103	Bushing	2
4	I178	Spring Pin, Casing	2	37	I203	Snap Ring	1
5	NS	Cap (RAD 661150)	1	38	I109	Auger, LH	1
6	I182	Bearing, Gearbox	2	39	I111	5/16-18 x 2-1/4 Shear Bolt Lock & Nut	3
7	NS	Pinion Gear (RAD 661160)	1	40	I128	Shear Bolt Bushing	4
8	I198	Shim, Pinion Shaft	1	41	I113	Bearing Flange	2
9	I194	Oil Seal	1	42	O/L	3/8 ID Flat Washer	2
10	I201	Shaft, Gearbox	1	43	5830	Grease Fitting	2
11	O/L	M8 x 40 Hex Bolt	2	44	I200	Gearbox (Comer) (Includes Items # 1-19)	1
12	O/L	M8 x 65 Hex Bolt	4		NS	Gearbox (Usimax) (RAD 663030)	1
13	NS	Casing Ello (RAD 661145)	1		NS	Seal Kit (RAD 665775)	1
14	NS	Oil Plug, 1/4 (Comer) (RAD 661972)	1	45	NS	Output Shaft (RAD 657286)	1
	NS	Plug, 1/8 NPT (Usimax) (RAD 656090)	1	46	I130	Woodruff Key	1
15	I195	Bearing	2	47	I110	Auger, RH	1
16	I181	Shim, Gearbox	2	48	O/L	5/16-NC x 3/4 Hex Bolt	8
17	NS	Gear (RAD 661159)	1	49	I205	Worm Gearbox Support (RAD 657332)	1
18	NS	Plug, 3/8 NPT & O-Ring (Comer) (RAD 659847)	1	50	I202	Fan Assembly	1
	NS	Plug, 1/8 NPT (Usimax) (RAD 656090)	1	<b>Fasteners</b>			
19	NS	Casing (RAD 661142)	1		F309	1/4-28 x 1/4 Set Screw	3
<b>Driveline and Auger Components</b>				<b>NOTE:</b> Decals are illustrated in greater detail in the Owner's section of this manual. Refer to <b>SAFETY, CONTROL, AND INSTRUCTION DECALS</b> in <b>Safety Instructions</b> , Page 17.			
20	6671	Driveline Male Portion Assembly (Includes Items # 25-29)	1	<b>NOTE:</b> All NS items are listed with a RAD Part Number (e.g., RAD 657383), and are not sold by Walker Manufacturing. To order these items, contact:			
21	I394	Decal, Rotating Auger	2	<b>RAD Technologies Inc.</b> 2835, Chemin de l'Aéroport			
22	5800	Decal, Walker Mower (4 x 7-1/2)	1				
23	NS	Decal, Check Oil Level (RAD 655683)	1				
24	NS	Decal, Lubricate Chain (RAD 657804)	1				
25	6671-4	Male Shaft and Yoke Assembly	1				
26	6671-3	Bearing Retainer	1				
27	6671-2	Nylon Bearing	1				
28	6671-1	Outer Shield	1				
29	I395	Decal, Rotating Driveline	1				
30	5609	Spindle Bearing & Collar (Includes Item # F309)	2				
31	O/L	5/16-NC Hex Nut	12				

# SNOWBLOWER DRIVE COMPONENTS



Effective Date 07-01-04

Use only genuine Walker® replacement parts.

# KEY TO ABBREVIATIONS USED IN ILLUSTRATED PARTS MANUAL

<i>Abbreviation</i>	<i>What it Represents</i>
° (Dimension)	Degrees (Angle)
" (Dimension)	inches
cfm	cubic feet per minute
cl	centiliters
cm	centimeters
Db	Decibels
DC	Direct Current
ESNA (Fastener)	Nylon Insert Locknut
fl. oz.	fluid ounces
FSC	Forward Speed Control
ft	feet
ft-lb	foot-pounds
GHS	Grass Handling System
GR (Fastener)	Grade
HP	Horse Power
ID	Identification or Inside Diameter
kg	kilograms
km/h or kph	kilometers per hour
kPa	kilopascals
lb	pounds
lbf	poundals or pounds force
LH	Left Hand (orientated with operator on seat)
m	meters
mm (Dimension)	millimeters
mph	miles per hour
N	Newtons
NC (Fastener)	National Coarse
NF (Fastener)	National Fine
NPT	National Pipe Thread
NS (as part number)	Item is not sold by Walker Manufacturing
N·m	Newton-meters
O/L	Obtain Locally (Item is not sold by Walker Manufacturing)
P/N	Part Number
PPHMS (Fastener)	Phillips Pan Head Machine Screw
PSI	Pounds Square Inch
PTO	Power Take-Off
RH	Right Hand (orientated with operator on seat)
RPM	revolutions per minute
SAE (Fastener)	Society of Automotive Engineers
SBH (Fastener)	Socket Button Head (Bolt)
S/N	Serial Number
U	Unified

**NOTE:** In some instances, combinations of abbreviations may be used (e.g. UNC - Unified National Coarse).