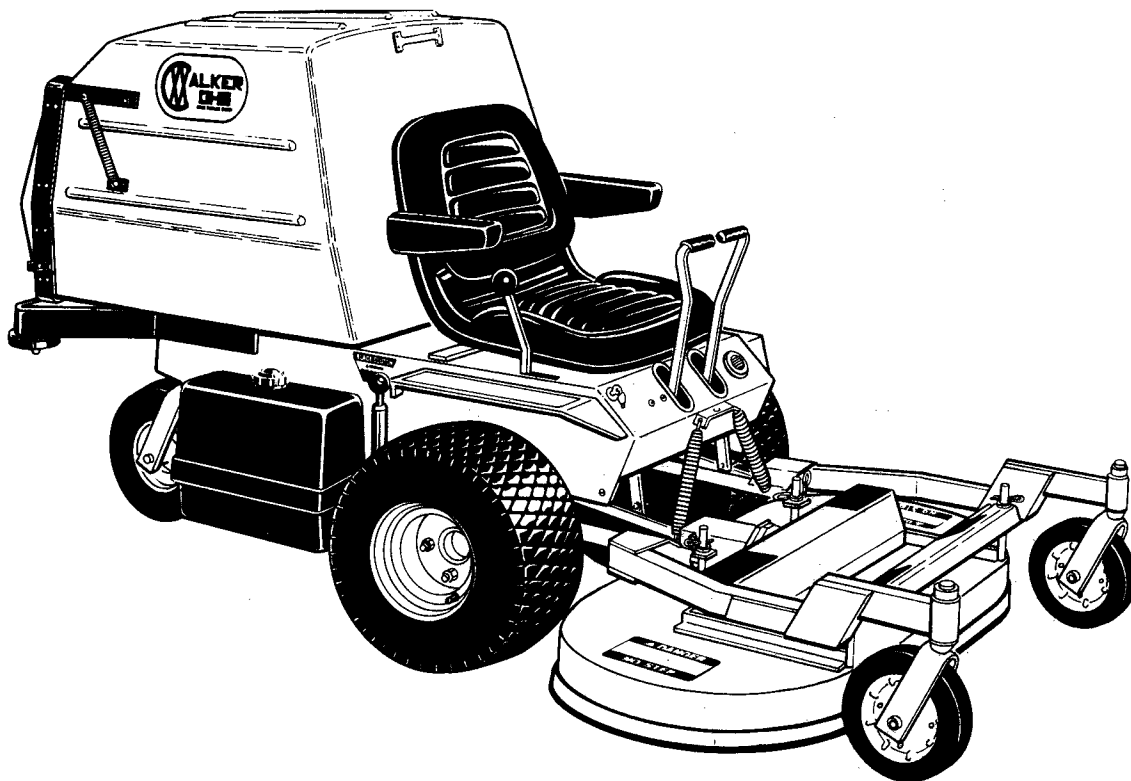


Walker Rider Lawnmowers

MODEL MDD (16.5-HP Diesel)
MODEL MDG (21.0-HP Gasoline)

ILLUSTRATED PARTS MANUAL



PARTS LIST NO. 7895-1
EFFECTIVE DATE 3-1-93

**UNIQUE PARTS LIST FOR MODEL MD
(S/N 97-29676 and On)**

<u>PART #</u>	<u>DESCRIPTION</u>
N/S	D722 Kubota Diesel Engine (MDD)
N/S	WG750 Kubota Gas Engine (MDG)
7017-2	Lower Radiator Hose
7017-3	Upper Radiator Hose
7026-2	Turbo Precleaner
7028-1	Precleaner Tube
7034	Spacer, Muffler
7046-2	Fuel Tank, 4.3 Gal. Diesel
7300-3	Chassis Frame (MD)
7306-11	Switch (205 Deg., 3/8-18 NPT)
7425	Radiator Screen
7426	Screen Channel
7427	Radiator
7428	Fan Control Module
7429	Radiator Cooling Fan
7430	Radiator Guard
7431	Radiator Channel Seal
7432	Shock Mount (1.00Dx.75)
7433	Resistor, Radiator Fan
7434	Rubber Washer (1/4")
7435	Radiator Brace
7436	Fan Mount Strap
7437	Engine Brace
7438	Decal, Self-Cleaning
7516-7	Rear Bumper (MDGHS)
7521-5	Rear Bumper (MDSD)
7938	Lead Wire, Battery Charge (Alternator to Starter)
7940-2	Wire Harness (MDD)
7945-2	Wire Harness (MDG)
7948-1	Time Delay Module
7948-2	Time Delay Harness
8046	Fuel Tank, 4.3 Gal. Gas

02/20/97

UNIQUE PARTS FOR REDESIGNED DGHS48

7701-10	Edge Stiffener, Side
7701-11	Edge Stiffener, Front
7705-1	Blade, 25" RH Rotation
7705-2	Blade, 25" LH Rotation
7726	Chute Hinge
7751	Tee Gearbox
7794	Discharge Chute Assembly
7798	Discharge Chute

ILLUSTRATED PARTS BREAKDOWN LIST

Figure No.	Section of Mower Covered	Page
B1	Front Body Assembly	2
B2	Rear Body Assembly, GHS Model	4
B3	Rear Body Assembly, SD Model	6
C1	Chassis Assembly, Engine Parts	8
C2	Chassis Assembly, Radiator/Fuel System	10
C3	Chassis Assembly, Ground Drive	12
C4	Chassis Assembly, Electrical	14
C5	Chassis Assembly, Belt Tensioning	16
C6	Chassis Assembly, Steering Controls	18
C7	Chassis Assembly	20
C8	Instrument Panel Assembly (7306)	22
C9	Model MDG Special Parts	24
D1	DGHS36 Deck Assembly	26
D2	DSD36 Deck Assembly	28
D3	DSD42 Deck Assembly	30
D4	DGHS42 Deck Assembly	32
D5	DSD54 Deck Assembly	34
D6	DML42 Deck Assembly	36
D7	DGHS48 Deck Assembly	38
E1	Wiring Schematic for Model MDD (Diesel)	40
E2	Wire Terminal Designations for Model MDD	41
E3	Wiring Schematic for Model MDG (Gas)	42
E4	Wire Terminal Designations for Model MDG	43
E6	MDG (Gas) Wiring Schematic Beg. S/N 97-29676	44
E5	MDD (Diesel) Wiring Schematic Beg. S/N 97-29676	45
G1	GHS 7.0 Bushel Catcher Assembly	46
G2	GHS 7.0 Bushel Catcher Assembly	48
K1	7989 Light Kit Assembly	50
K2	7400 Parking Brake Assembly	52
K3	7504 Exhaust Deflector Assembly	54
K4	5885 Arm Rest Kit Assembly	56
K5	6885 Arm Rest Kit Assembly	56
L1	Chassis Lubrication Points	58

NS = Item Not Stocked By Walker Manufacturing Company

FRONT BODY ASSEMBLY PARTS LIST (FIGURE B1)

ITEM NO.	PART NO.	DESCRIPTION	NO. REQ'D	ITEM NO.	PART NO.	DESCRIPTION	NO. REQ'D
1	5806	Blade Clutch Decal	1	50	7205-2	Upper Plate, Seat Hinge	1
2	7820	Body Release Decal	1	51	7205-5	Pivot Pin, Seat Hinge	1
3	7100	Front Body (MD)	1	52	5103-2	Pivot Bushing, Seat Hinge	4
4	7854	Plastic Tip, Body Release	1	53	7205-1	Lower Plate, Seat Hinge	1
5	7222	Spring, Body Release	1				
6	7383-1	Body Latch Hook	1				
7	5845	Rubber Bumper	4	F002	F002	10-24 Keps Nut	6
8	7209	Bridge Assembly (MD/MT)	1	F004	F004	1/4-20 Keps Nut	2
9	7145	Gas Spring	1	F005	F005	1/4-20 ESNA Nut	2
10	5147	Spring Clip, Gas Spring	2	F009	F009	5/16-18 Whiz Lock Nut	10
11	5146	Ball Stud, Gas Spring	2	F014	F014	3/8-16 ESNA Nut	2
12	5103	Seat	1	F025	F025	10-24 X 3/8 PPHMS	4
13	7203	Seat Spring Plate	1	F026	F026	10-24 X 1/2 PPHMS	2
14	7223	Compression Spring (Seat)	2	F031	F031	1/4-20 X 5/8 Hex Bolt	1
15	7846	Rubber Washer (3/8 X 1-1/4 X 1/8)	2	F032	F032	1/4-20 X 3/4 Hex Bolt	1
16	7204	Shoulder Bolt, Seat Mount	2	F034	F034	5/16-18 X 3/4 Hex Bolt	4
17	6839	Body ID Plate	1	F040	F040	3/8-16 X 1-1/2 Hex Bolt	2
18	7530	Body Chute Assembly*	1	F050	F050	1/4 SAE Washer	1
19	7845	Rubber Bumper (Seat)	2	F051	F051	3/8 SAE Washer	2
20	5942	Safety Switch (NO)	1	F060	F060	AN960516 Washer	2
21	5989-3	Body Panel Plug (5/16)	2	F069	F069	3/32 X 1/2 Cotter Pin	2
22	5989-4	Body Panel Plug (3/8)	2	F104	F104	1/4-20 X 3/4 PFH Bolt	1
23	5804	Decal, Blower Blade Warning*	1	F201	F201	Washer, 1/4" Belleville Spring	2
24	7802	RH Fender Decal	1	F206	F206	#2 X 3/16 Drive Pin	2
25	7818	Warning Decal	1	F227	F227	3/8 X 1-1/4 X 1/8 Plastic Washer	2
26	5856	Made in USA Decal	1	F232	F232	10-32 Keps Nut	2
27	5803	Walker Mfg. Logo Decal	1	F233	F233	M8 X 1.25 X 16 Hex Bolt	2
28	5180	Edge Molding, Lever Opening	2				
29	7170	FSC Lever Assembly	1				
30	5830	Grease Fitting	1				
31	5862	FSC Knob	1				
32	5223	Extension Spring, 1/4 X 5-1/2	2				
33	5450-2	Steering Lever, RH	1				
34	5451-2	Steering Lever, LH	1				
35	7220	Throttle Cable	1				
36	5832	Cable Clamp (1/2")	2				
37	7341	Throttle Cable Mount Bracket (MDD)	1				
38	NS	Kubota Engine (D600-B Kubota)	1				
39	5150	Ball Joint (10-32)	2				
40	5108-8	Control Bracket Assembly, Throttle	1				
41	7108	Throttle Control Assembly	1				
42	5108-11	Friction Washer, Thin (.062)	1				
43	5108-1	Control Lever, Throttle & Choke	1				
44	5108-5	Throttle Control Knob, Red	1				
45	5108-10	Friction Washer, Thick (.125)	1				
46	5108-7	Control Lock Tab	1				
47	NS	10-32 Jam Nut (Incl W/7220)	2				
48	7819	Throttle Decal	1				
49	7205	Seat Hinge Assembly	1				

* Used On GHS Models Only

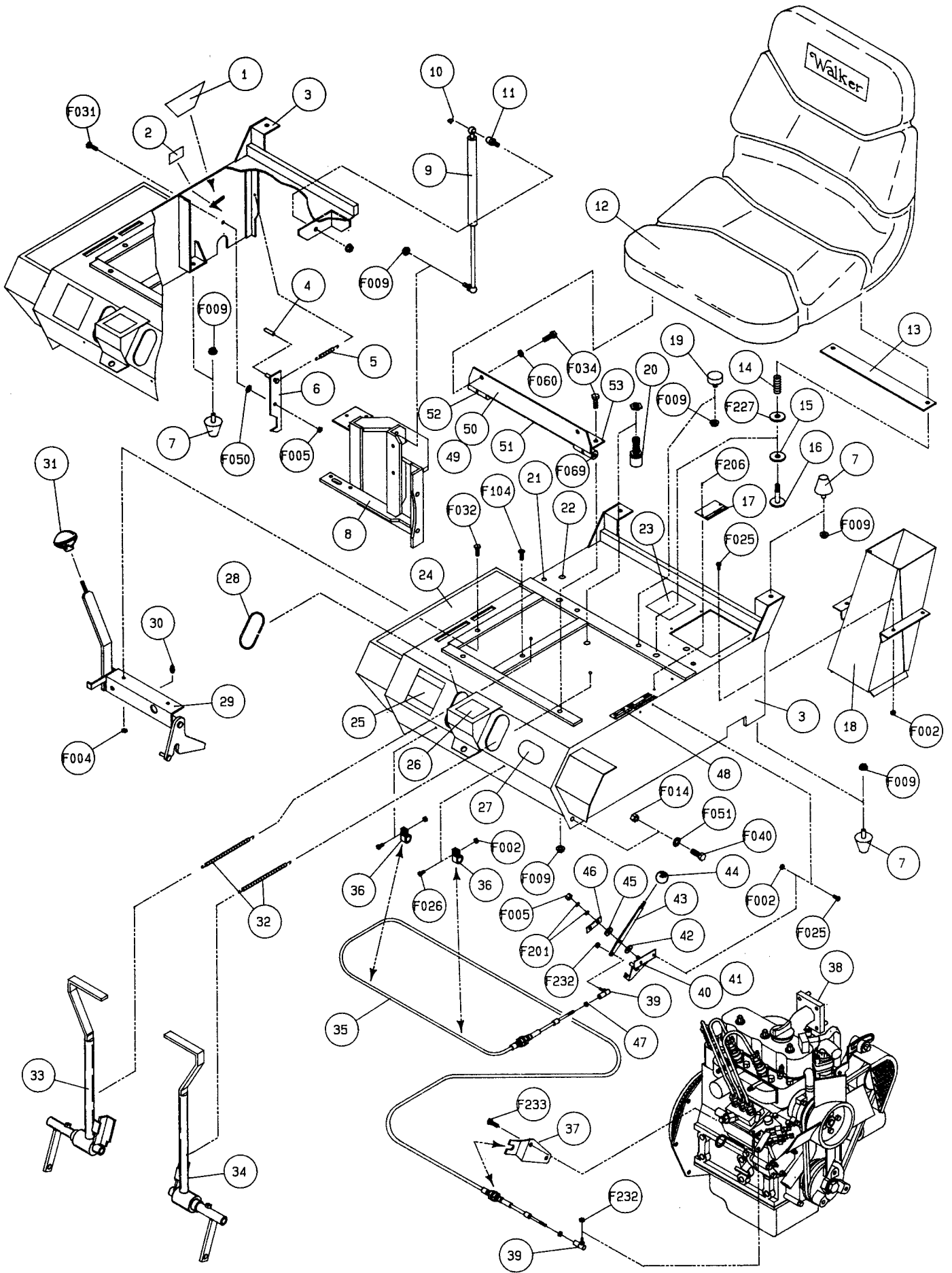


Figure B1 - Front Body Assembly

REAR BODY ASSEMBLY, GHS MODEL PARTS LIST (FIGURE B2)

ITEM NO.	PART NO.	DESCRIPTION	NO. REQ'D	ITEM NO.	PART NO.	DESCRIPTION	NO. REQ'D
1	7510-1	7.0 Bushel Catcher, Incl. Door	1	F002	F002	10-24 Keps Nut	8
2	7513	Mounting Frame Assembly, Catcher (7.0)	1	F004	F004	1/4-20 Keps Nut	6
3	7835	Frame Clip (Cable Clamp)	5	F009	F009	5/16-18 Whiz Lock Nut	4
4	7515	Catcher Support Frame	1	F012	F012	3/8-16 Keps Nut	6
5	7976	Nylon Grommet, 7/16"	1	F013	F013	3/8-16 Whiz Lock Nut	4
6	5845	Rubber Bumper	1	F014	F014	3/8-16 ESNA Nut	2
7	7145	Gas Spring	1	F025	F025	10-24 X 3/8 PPHMS	8
8	7105-2	Rear Body Panel	1	F031	F031	1/4-20 X 5/8 Hex Bolt	5
9	7190-2	RH Insulation Foam Pad	1	F038	F038	3/8-16 X 1 Hex Bolt	5
10	7190-1	LH Insulation Foam Pad	1	F039	F039	3/8-16 X 1-1/4 Hex Bolt	1
11	7516	Rear Bumper Assembly (GHS)	1	F040	F040	3/8-16 X 1-1/2 Hex Bolt	2
12	5162	Anti Skuff Roller (5")	2	F051	F051	3/8 SAE Washer	4
13	7013-2	Tail Pipe	1	F059	F059	3/8 Wavey Spring Washer	2
14	7944	GHS Wire Harness	1	F178	F178	1/4 Fender Washer	3

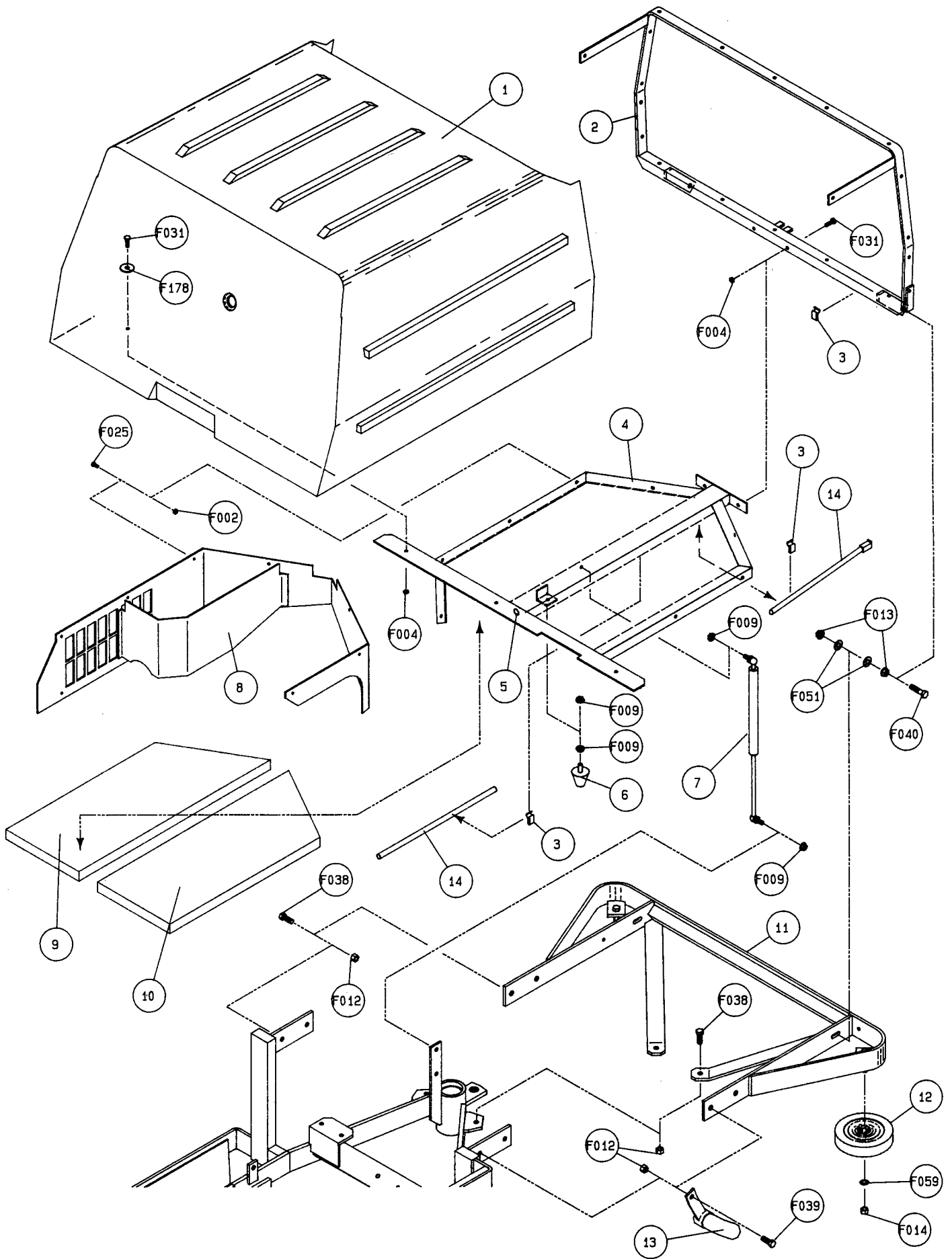


Figure B2 - Rear Body Assembly, GHS Model

REAR BODY ASSEMBLY, SD MODEL PARTS LIST (FIGURE B3)

ITEM NO.	PART NO.	DESCRIPTION	NO. REQ'D	ITEM NO.	PART NO.	DESCRIPTION	NO. REQ'D
1	7105-2	Rear Body Panel	1	F002	F002	10-24 Keps Nut	12
2	7650	Utility Bed	1	F009	F009	5/16-18 Whiz Lock Nut	4
3	7190-2	RH Insulation Foam Pad	1	F012	F012	3/8-16 Keps Nut	6
4	7190-1	LH Insulation Foam Pad	1	F013	F013	3/8-16 Whiz Lock Nut	4
5	7100	Front Body (MD)	1	F014	F014	3/8-16 ESNA Nut	2
6	5845	Rubber Bumper	1	F025	F025	10-24 X 3/8 PPHMS	12
7	7153-2	Cover Plate	1	F038	F038	3/8-16 X 1 Hex Bolt	5
8	7145	Gas Spring	1	F039	F039	3/8-16 X 1-1/4 Hex Bolt	1
9	5800	Decal, Walker Mower (4 X 7-1/2)	2	F040	F040	3/8-16 X 1-1/2 Hex Bolt	2
10	7521	Rear Bumper Assembly (SD)	1	F051	F051	3/8 SAE Washer	4
11	5162	Anti-Skuff Roller (5")	1	F059	F059	3/8 Wavy Spring Washer	2
12	7300	Chassis Frame (MD)	1				
13	7013-2	Tail Pipe	1				

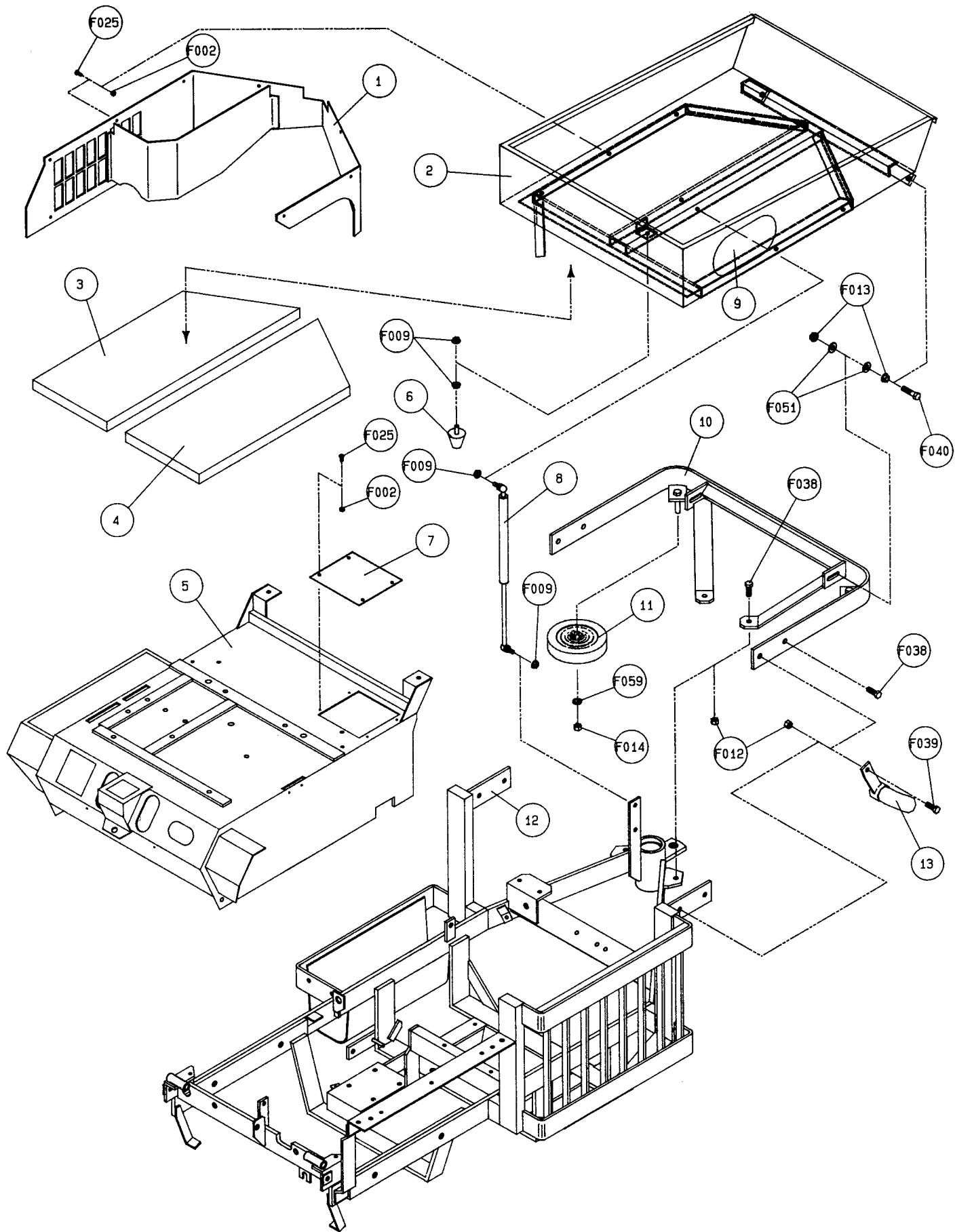


Figure B3 – Rear Body Assembly, SD Model

CHASSIS ASSEMBLY, ENGINE PARTS LIST (FIGURE C1)

ITEM NO.	PART NO.	DESCRIPTION	NO. REQ'D	ITEM NO.	PART NO.	DESCRIPTION	NO. REQ'D
1	7240-1	Jackshaft Drive Pulley (3V)*		48	7047-1	Heat Shield	1
	7240	Jackshaft Drive Pulley (3V)	1	49	7013-2	Tail Pipe	1
2	7245-1	Idler Pulley	1	50	7023	Oil Filter (15841-32439 Kubota)	1
3	7231	Engine Ground Drive Belt (3VX335)	1	51	7306-4	Water Temperature Sender Unit	1
4	7230	Engine PTO Belt	1	52	7300	Chassis Frame (MD)	1
5	7237	Engine Pulley (Flywheel Mount)	1				
6	7243	Clutch Idler Pulley	1	F003	F003	1/4-28 Hex Nut	1
7	7236	PTO Drive Pulley (3 Groove)	1	F004	F004	1/4-20 Keps Nut	8
8	7016	Air Intake Hose (MDD)	1	F009	F009	5/16-18 Whiz Lock Nut	4
9	7840	Hose Clamp	2	F031	F031	1/4-20 X 5/8 Hex Bolt	4
10	NS	Kubota Engine (D600-B Kubota)	1	F034	F034	5/16-18 X 3/4 Hex Bolt	1
11	NS	Air Cleaner Assm (15372-11010 Kubota)	1	F069	F069	3/32 X 1/2 Cotter Pin	1
12	NS	Air Cleaner Band (15371-11252 Kubota)	1	F091	F091	5/16-18 X 5/8 Hex Bolt	1
13	NS	Nut (02114-50080 Kubota)	3	F104	F104	1/4-20 X 3/4 PFH Bolt	2
14	NS	Muffler Gasket (15371-12370 Kubota)	1	F116	F116	1/4-20 X 1-1/4 Hex Bolt	2
15	NS	Muffler (15262-12110 Kubota)	1	F182	F182	5/8 X 1/4 X 1/8 Washer	2
16	7022	Air Filter Element (70000-11221 Kubota)	1	F198	F198	1/4 Washer (.625 X .250 X .040 SS)	1
17	7384	Engine Brace	1	F217	F217	7/16-14 Hex Nut	4
18	NS	Spring Washer (04512-50080 Kubota)	4	F218	F218	7/16 Split Lock Washer	4
19	NS	Recovery Tank Mount (19449-72502 Kubota)	1	F219	F219	7/16-14 X 1-1/4 Hex Bolt**	4
20	NS	Coolant Rcvy Tank (19059-72090 Kubota)	1	F221	F221	M8 X 1.25 X 16 PFH Bolt	5
21	NS	Nut (Oil Pressure Sender)	1	F225	F225	M6 X 1.0 X 45 Hex Bolt	2
22	NS	Washer (Oil Pressure Sender)	1	F233	F233	M8 X 1.25 X 16 Hex Bolt	2
23	NS	90 degree Elbow (19484-95980 Kubota)	1	F234	F234	M4 X .7 Hex Nut	2
24	7306-6	Oil Pressure Sender Unit	1	F235	F235	5/16-18 X 2-1/2 Hex Bolt	1
25	7012	Spacer, Radiator Hose Fitting	1	F239	F239	7/16-14 X 1-1/2 Hex Bolt**	1
26	7840-3	Hose Clamp, Radiator	3	F243	F243	M6 Split Lock Washer	2
27	7017-1	Lower Radiator Hose	1	F253	F253	M8 X 1.25 X 35 Grd 8 Bolt	1
28	7305	Solenoid Linkage Rod	1	F255	F255	5/16-18 X 1-1/2 Hex Bolt	1
29	7929	Solenoid, Fuel Valve	1				
30	7343	Solenoid Mount	1				
31	NS	Engine Mount Washer (04013-50100 Kubota)	8				
32	NS	Engine Mount Bolt (01133-51022 Kubota)	8				
33	7354	Motor Mount	2				
34	NS	Assm, Fuel Filter (19204-43010 Kubota)	1				
35	7021	Fuel Filter (15321-43560 Kubota)	1				
36	NS	Fuel Pump (68371-51210 Kubota)	1				
37	6832	Cable Clamp, 9/16 X 1/4	1				
38	NS	Regulator (15533-64600 Kubota)	1				
39	7389	Splash Guard (MDD)	1				
40	7840-4	Hose Clamp, Upper Radiator	1				
41	7017	Upper Radiator Hose	1				
42	NS	Radiator (15861-72060 Kubota)	1				
43	NS	Snap Pin (05515-51000 Kubota)	2				
44	NS	Washer (15111-72200 Kubota)	4				
45	NS	Cushion (15111-72180 Kubota)	2				
46	NS	Cushion (04013-50100 Kubota)	2				
47	NS	Bolt (66711-51340 Kubota)	2				

* See Figure C5 For Earlier Model Application

** Quantity Shown For SD Model, For GHS Models Use

3 Pcs F219 & 1 Pc F239 To Attach Motor Mount

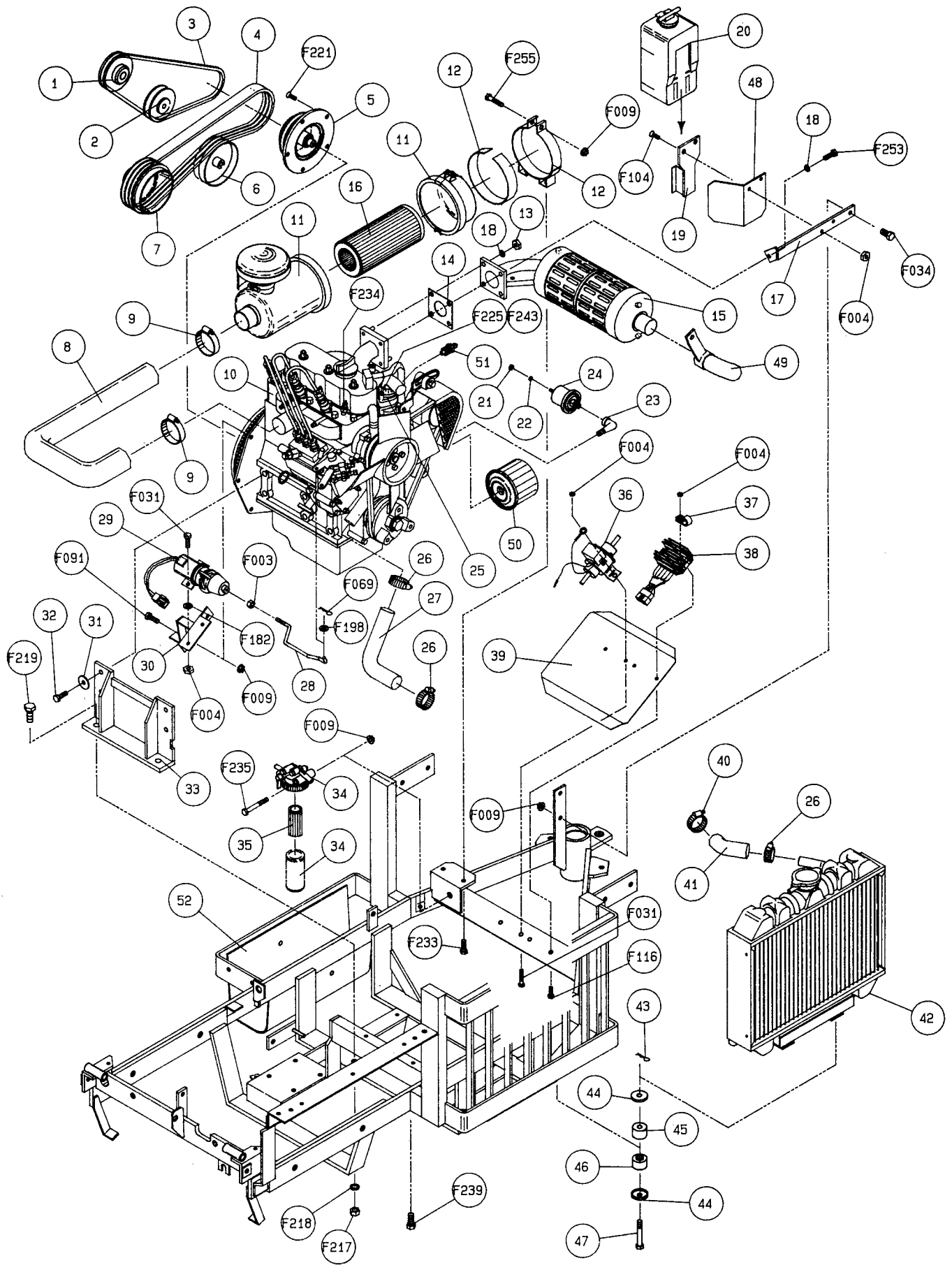


Figure C1 – Chassis Assembly (Engine Parts)

CHASSIS ASSEMBLY, RADIATOR/FUEL SYSTEM PARTS LIST (FIGURE C2)

ITEM NO.	PART NO.	DESCRIPTION	NO. REQ'D	ITEM NO.	PART NO.	DESCRIPTION	NO. REQ'D
1	NS	Overflow Hose (15471-72440 Kubota)	1	F002	F002	10-24 Keps Nut	4
2	NS	Recy Tank Hose Clmp (15501-72470 Kubota)	2	F004	F004	1/4-20 Keps Nut	4
3	NS	Coolant Recy Tank (19059-72090 Kubota)	1	F026	F026	10-24 X 1/2 PPHMS	4
4	7015-6	Radiator/Recovery Tank Hose	1	F029	F029	1/4-20 X 1/2 Hex Bolt	6
5	NS	Radiator (15861-72060 Kubota)	1	F061	F061	1/4 Internal Star Lock Washer	2
6	7350-1	Side Seal, Radiator	2				
7	NS	Kubota Engine (D600-B Kubota)	1				
8	5879-2	Hose Clamp	2				
9	7015-4	Fuel Return Line	1				
10	7048	Trash Guard	1				
11	7046-1	Fuel Return Tube And Fitting Assembly	1				
12	5083-1	Rubber Bushing, Fuel Tank	2				
13	7082	Fuel Tank Cap (MDD)	1				
14	7046	Fuel Tank (3 Gallon Molded)	1				
15	7350-3	Side Seal, Screen	2				
16	5083	Fuel Shut-Off Valve & Filter	1				
17	7840-2	Fuel Line Clamp (Screw Type)	8				
18	7015	Fuel Line, Tank	1				
19	7020	Fuel Filter (In line)	1				
20	7015-1	Fuel Line, Pump In	1				
21	NS	Fuel Pump (68371-51210 Kubota)	1				
22	7015-2	Fuel Line, Pump Out (MDD)	1				
23	NS	Fuel Filter (19204-43010 Kubota)	1				
24	7021	Fuel Filter (15321-43560 Kubota)	1				
25	7015-3	Fuel Line, Engine (MDD)	1				
26	7350-4	Radiator Screen Seal	2				
27	7304-2	Radiator Screen, Large (Optional)	1				
28	7350-2	Cap Seal, Radiator	2				
29	7304-3	Cap Seal Mount, Upper	1				
30	7304-1	Radiator Screen	1				
31	7304-5	Radiator Screen Retrofit Kit*	1				
32	7304-4	Cap Seal Mount, Lower	1				
33	7350-6	Spring, Screen Latch	2				
34	7350-5	Hook, Screen Latch	2				
35	7826	Caution - Engine Coolant Decal	1				
36	7300	Chassis Frame (MD)	1				

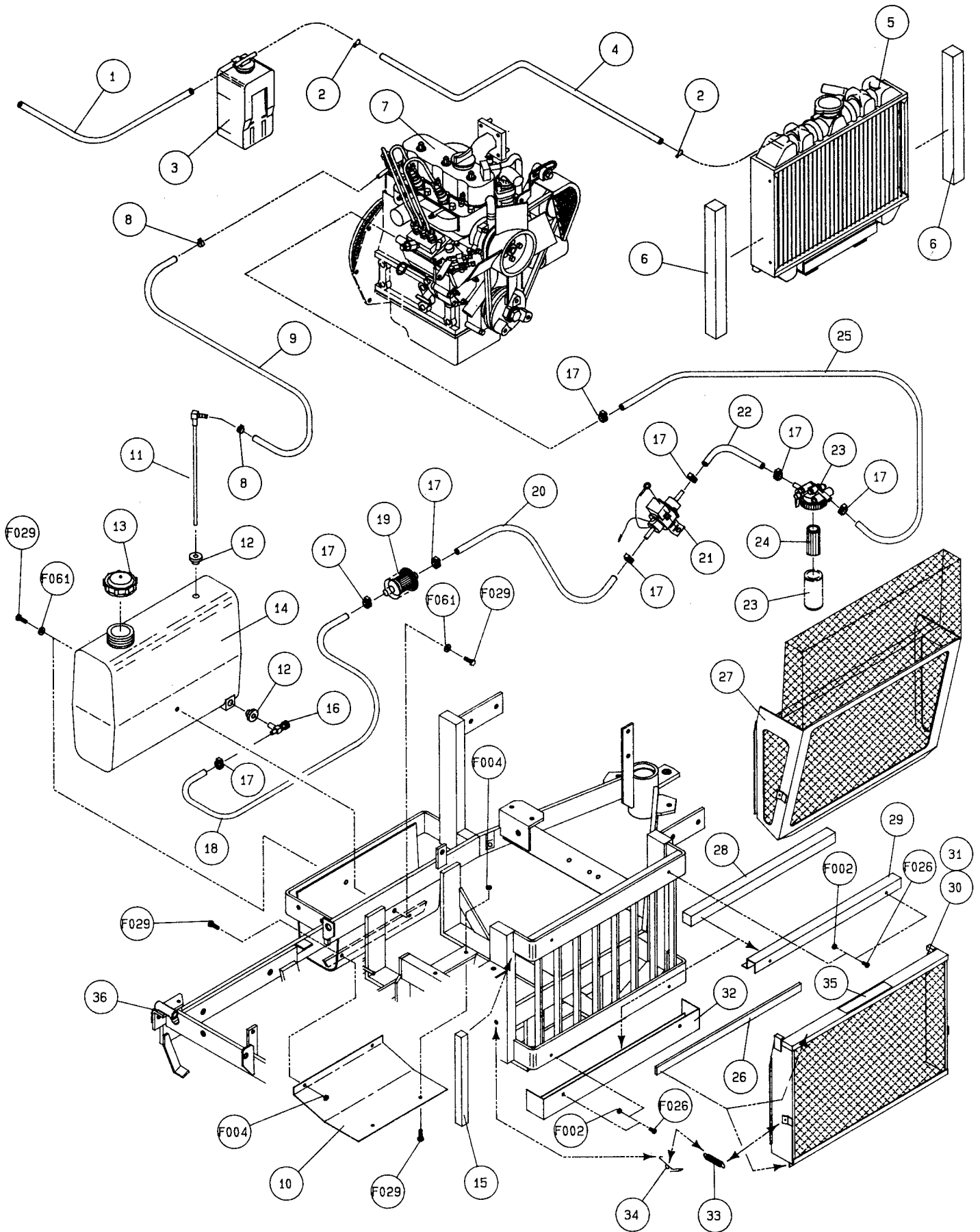


Figure C2 – Chassis Assembly (Radiator/Fuel System)

CHASSIS ASSEMBLY, GROUND DRIVE PARTS LIST (FIGURE C3)

ITEM NO.	PART NO.	DESCRIPTION	NO. REQ'D	ITEM NO.	PART NO.	DESCRIPTION	NO. REQ'D
1	5810	Reservoir Decal	2	F004	F004	1/4-20 Keps Nut	2
2	5026	Hydrostatic Drive (RH, CW, 700-031)	1	F009	F009	5/16-18 Whiz Lock Nut	1
3	6244	Hydro Pulley	2	F032	F032	1/4-20 X 3/4 Hex Bolt	2
4	6243-1	CW Hydro Fan	1	F034	F034	5/16-18 X 3/4 Hex Bolt	1
5	7070	Wide Wheel & Tire Assembly (18 x 9.50-8)	2	F036	F036	1/4-20 X 1/2 SBH Bolt	2
	7070-1	Tire Only (18 x 9.50-8)	0	F038	F038	3/8-16 X 1 Hex Bolt	4
	5070-4	Wheel Only (8.50-8)	0	F040	F040	3/8-16 X 1-1/2 Hex Bolt	4
6	6430-9	RH Outboard Mount, Support Arm	1	F043	F043	3/8-16 X 3 Hex Bolt	8
7	6840-1	Support Arm Bushing	2	F053	F053	7/16 Internal Star Lock Washer	4
8	5830	Grease Fitting	2	F063	F063	3/8 Internal Star Lock Washer	16
9	6430-1	Deck Support Arm, RH	1	F064	F064	1/8 X 1/2 Woodruff Key (#3)	4
10	6200-4	Gear Axle Drive Assembly	2	F157	F157	Wheel Lug Bolt, 1/2-20 X 1-1/4	8
11	5810-1	Decal, Axle Oil Level	2	F160	F160	External Snap Ring (.669 Shaft)	2
12	7209	Bridge Assembly (MD/MT)	1	F178	F178	1/4 Fender Washer	2
13	6430-2	Deck Support Arm, LH	1	F194	F194	7/16 X 1-1/4 X 1/8 Washer	2
14	6430-10	LH Outboard Mount, Support Arm	1	F200	F200	7/16-20 X 3 Grade 8 Bolt	2
15	6243-2	CCW Hydro Fan	1	F205	F205	5/16-18 X 1/4 Set Screw, Knurl Pt	4
16	5025	Hydrostatic Drive (LH, CCW, 700-032)	1	F244	F244	7/16-20 X 3/4 Hex Bolt	2
17	6201	O-Ring Seal	2				
18	6234	Spacer, Pinion Gear	2				
19	6233-1	Pinion Gear	2				
20	7390-1	Battery Pan	1				
21	7300	Chassis Frame (MD)	1				
22	6206	Pressure Relief Valve	2				

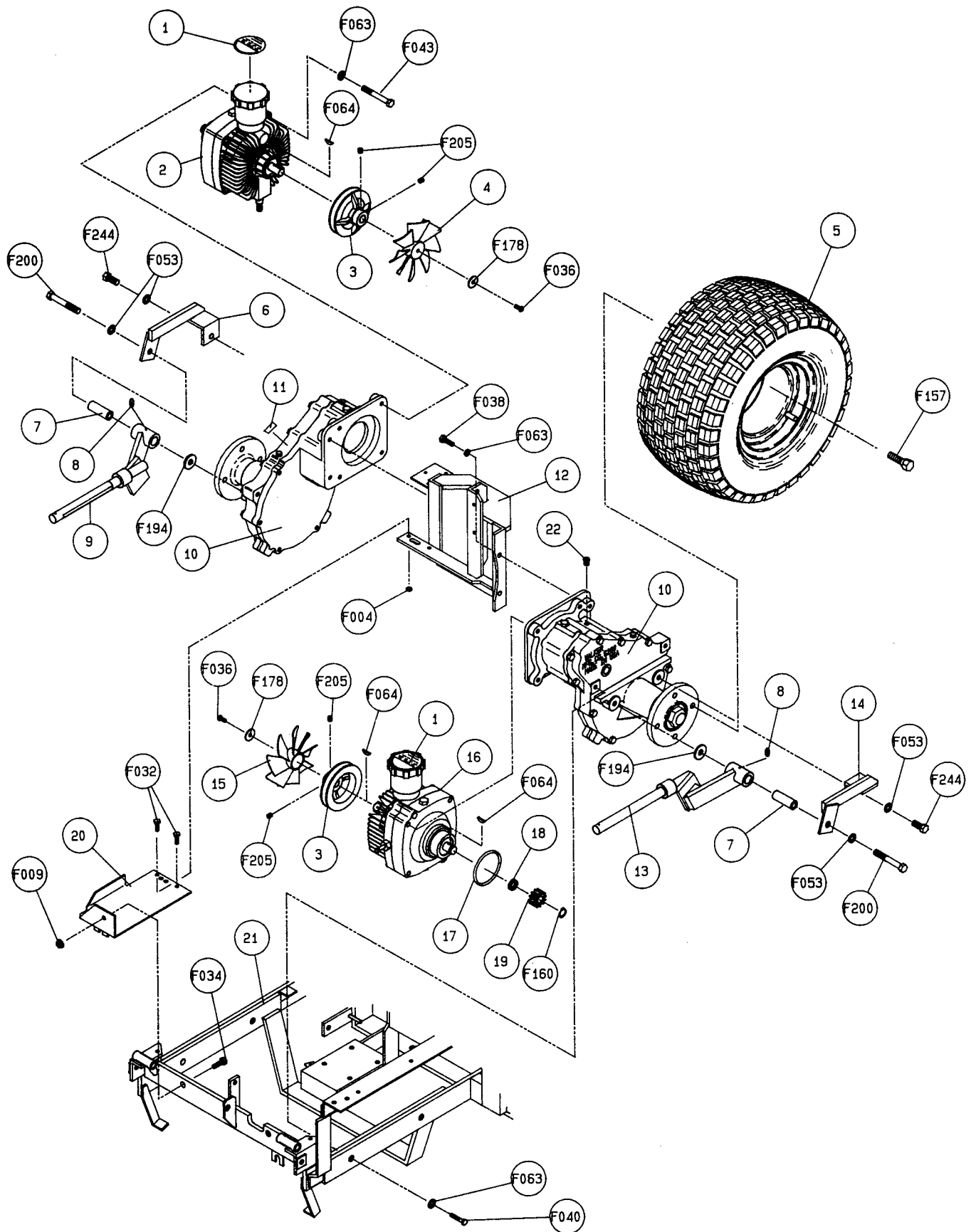


Figure C3 – Chassis Assembly (Ground Drive)

CHASSIS ASSEMBLY, ELECTRICAL PARTS LIST (FIGURE C4)

ITEM NO.	PART NO.	DESCRIPTION	NO. REQ'D	ITEM NO.	PART NO.	DESCRIPTION	NO. REQ'D
1	6941	Relay Switch	1	F002	F002	10-24 Keps Nut	4
2	7209	Bridge Assembly (MD/MT)	1	F004	F004	1/4-20 Keps Nut	11
3	7942	Safety Switch	2	F009	F009	5/16-18 Whiz Lock Nut	3
4	7929	Solenoid, Fuel Valve	1	F019	F019	1/4-20 ESNA Wing Nut	2
5	7300	Chassis Frame (MD)	1	F025	F025	10-24 X 3/8 PPHMS	1
6	5832	Cable Clamp, 1/2"	3	F026	F026	10-24 X 1/2 PPHMS	2
7	7940	Wire Harness Assembly (MDD)	1	F031	F031	1/4-20 X 5/8 Hex Bolt	4
8	5932	Battery Terminal Insulator, Black (-)	1	F032	F032	1/4-20 X 3/4 Hex Bolt	1
9	5975-1	Cable Tie, 18x3-3/4	2	F034	F034	5/16-18 X 3/4 Hex Bolt	2
10	7910	Battery (12V, U1-SP40)	1	F049	F049	5/16 SAE Washer	1
11	7943	Positive Battery Cable	1	F050	F050	1/4 SAE Washer	2
12	5844	Battery Hold-Down Bar	1	F062	F062	#8 Internal Star Lock Washer	2
13	5839	Hook Bolt, Battery Mount	2	F079	F079	A/A66D Alum Pop Rivet	4
14	6923	Negative Battery Cable	1	F228	F228	#6 X 1/2 PPH SM Screw	8
15	7844	Rubber Bumper	1	F238	F238	J Clip, Instrument Panel	8
16	7941	Circuit Breaker w/Reset (40 Amp)	1				
17	7208	Module Mount (MDD)	1			* Repair Parts for P/N 7940 Wire Harness	
18	7306-1	Control Module (MDD)	1				
19	7140	FSC Control Assembly	1				
20	7307	Panel Frame	1				
21	7306	Instrument Panel Assembly	1				
22	7386	Panel Gasket	1				
23	7391	Panel Box Mount Plate	2				
24	7385	Panel Box	1				
25	7824	Diesel Decal	1				
26	7307-1	Shock Mount	3				
27	7422	Panel Guard	1				
28	NS	Voltage Regulator (15533-64600 Kubota)	1				
29	7977	Rubber Grommet	1				
30	5933	Battery Terminal Insulator, Red (+)	1				
31	5940-4	Brass Female Wire Clip*	64				
32	5940-5	Brass Male Wire Clip*	5				
33	7942-4	Single Connector, Female*	2				
34	7942-8	8 Pin Connector, Female*	5				
35	7942-3	2 Pin Connector, Male*	1				
36	8944-1	3 Pin Connector, Male*	1				
37	8944	3 Pin Connector, Female*	1				
38	7942-5	5 Pin Connector, Female*	1				
39	7942-6	6 Pin Connector, Female*	2				
40	7942-2	Safety Switch Adapter Plug*	1				
41	7942-9	3 Pin Connector, Female*	1				
42	7942-7	Male Connector to Regulator*	1				
43	7821-2	Color Code Dot, Red	4				
44	7821-1	Color Code Dot, White	4				
45	7833	Cable Clamp, 7/8"	2				
46	5940-7	Brass Female Wire Clip*	4				
47	7821	Wiring Disconnect Decal	1				
48	7307-2	Instrument Panel Cover (Optional)	0				

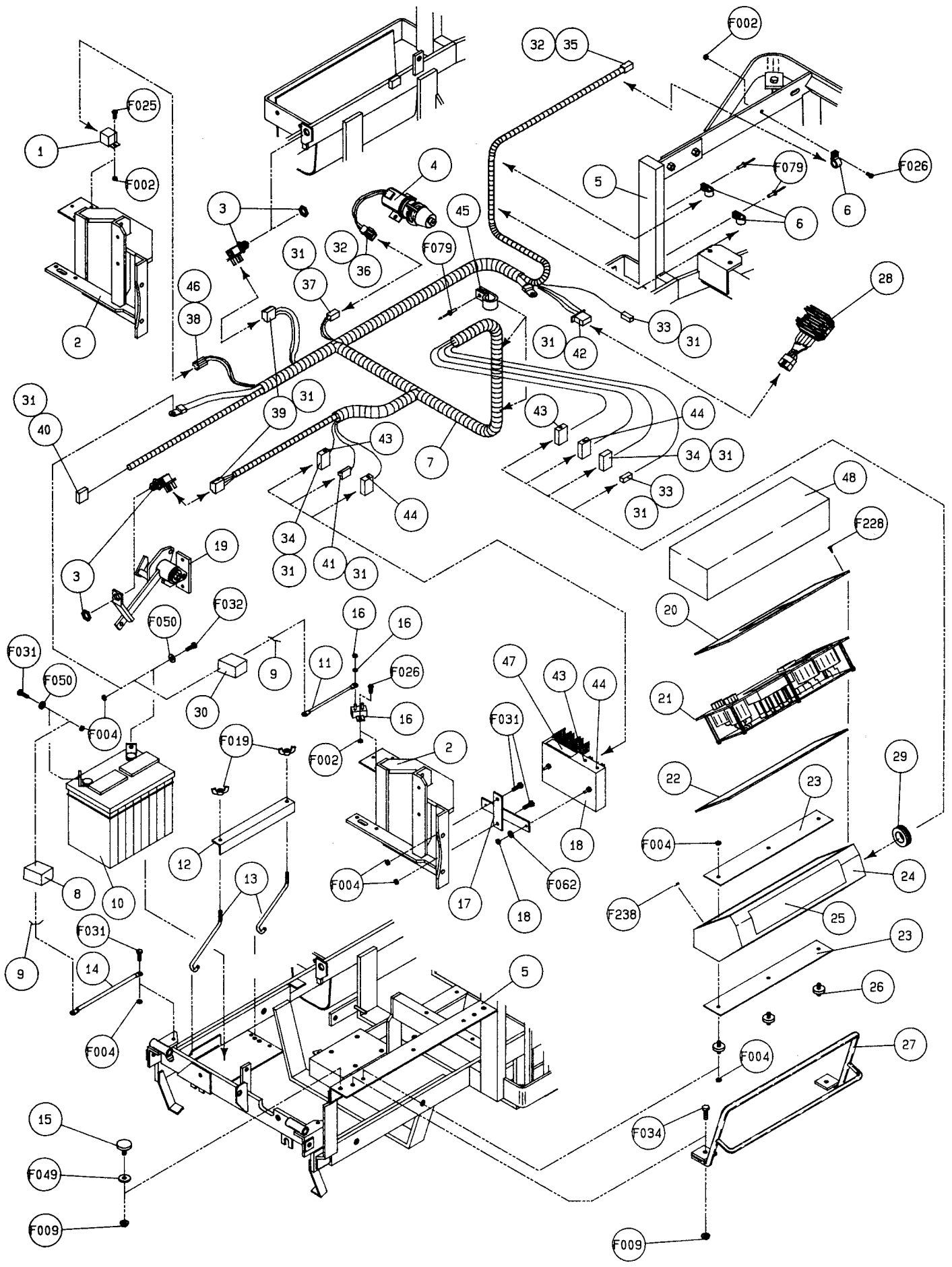


Figure C4 - Chassis Assembly (Electrical)

CHASSIS ASSEMBLY, BELT TENSIONING PARTS LIST (FIGURE C5)

ITEM NO.	PART NO.	DESCRIPTION	NO. REQ'D	ITEM NO.	PART NO.	DESCRIPTION	NO. REQ'D
1	7240-1	Jackshaft Drive Pulley (3V)*	1	F002	F002	10-24 Keps Nut	1
	7240	Jackshaft Drive Pulley (3V)	1	F005	F005	1/4-20 ESNA Nut	1
2	5268	Jackshaft Bearing*	2	F008	F008	5/16-24 Keps Nut	1
	7265	Jackshaft Bearing	2	F009	F009	5/16-18 Whiz Lock Nut	2
3	7349	Jackshaft Support Assembly*	1	F010	F010	5/16-24 ESNA Nut	1
	7348	Jackshaft Support Assembly	1	F012	F012	3/8-16 Keps Nut	6
4	7273	Jackshaft (3/4")*	1	F029	F029	1/4-20 X 1/2 Hex Bolt	1
	7274	Jackshaft (5/8")	1	F034	F034	5/16-18 X 3/4 Hex Bolt	2
5	7241-1	Transmission Drive Pulley (3-1/4")*	1	F040	F040	3/8-16 X 1-1/2 Hex Bolt	1
	7241	Transmission Drive Pulley (3-1/4")	1	F041	F041	3/8-16 X 1-3/4 Hex Bolt	1
6	7351	Jackshaft Mount Bracket	1	F042	F042	3/8-16 X 2-1/4 Hex Bolt	1
7	7236	PTO Drive Pulley (3 Groove)	1	F047	F047	3/8-16 X 4-1/2 Hex Bolt	1
8	7860	Handle Grip	1	F049	F049	5/16 SAE Washer	3
9	7358	Clutch Lever Assembly	1	F060	F060	AN960516 Washer	1
10	5830	Grease Fitting	1	F061	F061	1/4 Internal Star Lock Washer	2
11	7377	Plastic Washer (1 X .438 X .025)	2	F069	F069	3/32 X 1/2 Cotter Pin	1
12	7380	Knuckle Joint, Clutch Linkage	1	F075	F075	5/16-18 X 1/2 SH Set Screw	2
13	7300	Chassis Frame (MD)	1	F114	F114	5/16-18 X 5/8 SH Set Screw	2
14	7378	Pivot Bearing	1	F153	F153	3/16 X 3/16 X 1-1/4 Key	3
15	5830-3	Grease Fitting (45 degree)	1	F168	F168	5/16 Split Lock Washer	1
16	7379	Bushing	1	F178	F178	1/4 Fender Washer	2
17	5221	Extension Spring	1	F215	F215	3/8-16 X 1/2 X 1/2 Shoulder Bolt	2
18	7226	Compression Spring	1	F226	F226	5/16-18 X 7/8 Hex Bolt	6
19	7303-1	Clutch Actuator Rod	1	F231	F231	1/4 X 3/4 Woodruff Key (#806)	1
20	7201	Bearing Inner Race	4	F245	F245	3/8-24 X 7/8 SFH Cap Screw	1
21	7201-1	Needle Bearing	4	F252	F252	10-24 X 3/4 PFHMS	1
22	7368	PTO Belt Tightener Assembly	1				
23	7243	Clutch Idler Pulley	1				
24	7368-1	Bearing Spacer Tube	1				
25	7303	Brake Band	1				
26	5229	Extension Spring 1/2" X 2-1/4"	1				
27	7050	PTO Gearbox	1				
28	7206	Pressure Relief Valve Stem	1				
29	6206	Pressure Relief Valve	1				
30	7238	Blower Drive Pulley**	1				
31	7390	Idler Arm Guide	1				
32	7373	Ground Drive Idler Arm	1				
33	5841	Retainer Washer	1				
34	7245-1	Idler Pulley	1				
35	5245	Idler Pulley (3")	1				

* S/N 93-14669 And On, Retrofit Earlier Models By 7348-2 Kit

** Used On GHS Model Only

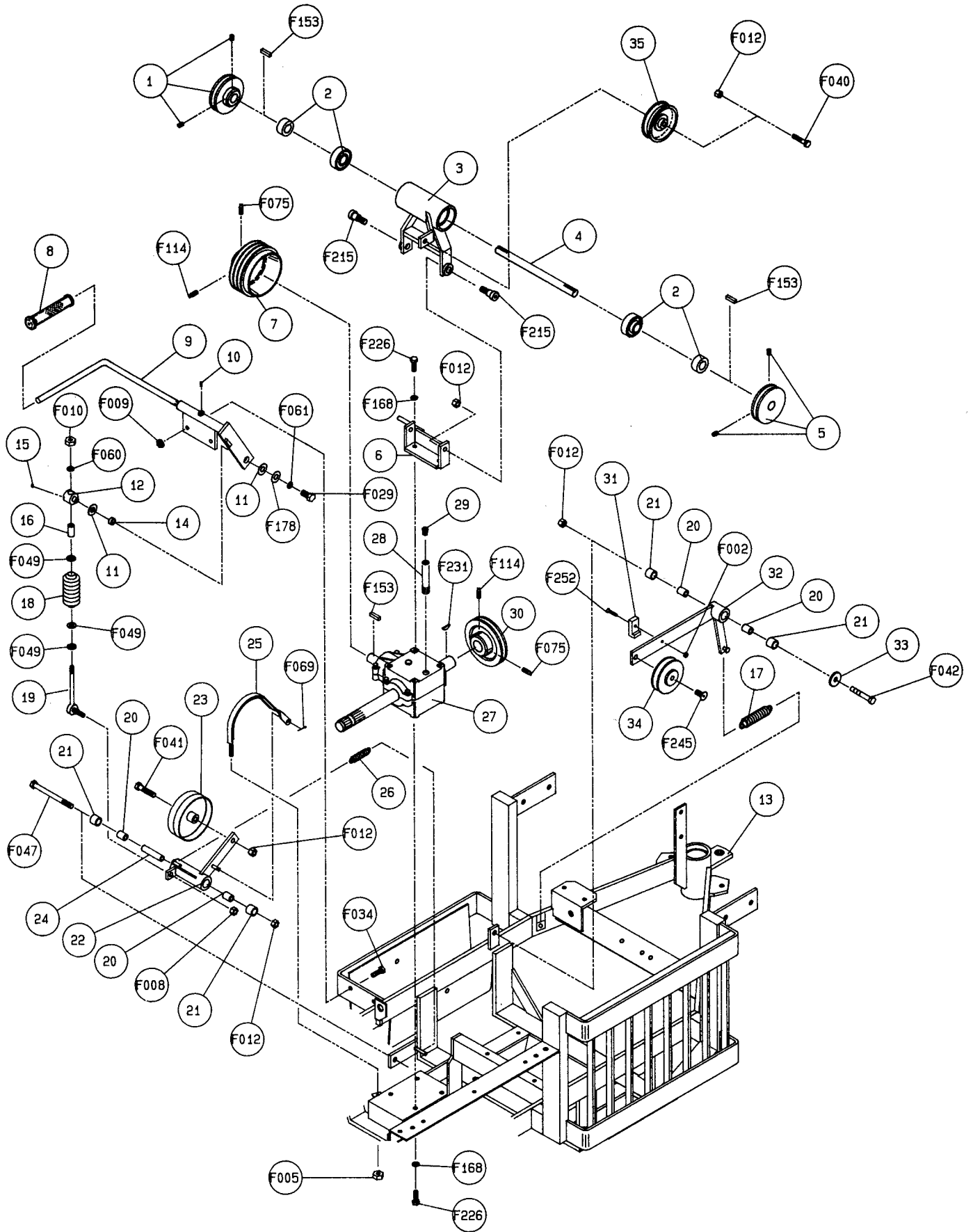


Figure C5 - Chassis Assembly (Belt Tensioning)

CHASSIS ASSEMBLY, STEERING CONTROLS PARTS LIST (FIGURE C6)

ITEM NO.	PART NO.	DESCRIPTION	NO. REQ'D	ITEM NO.	PART NO.	DESCRIPTION	NO. REQ'D
1	5026	Hydrostatic Drive (RH, CW, 700-031)	1	F003	F003	1/4-28 Hex Nut	1
2	6244	Hydro Pulley	2	F004	F004	1/4-20 Keps Nut	4
3	5245	Idler Pulley (3")	2	F007	F007	5/16-18 Jam Nut	1
4	7241-1	Transmission Drive Pulley (3-1/4")*	1	F008	F008	5/16-24 Keps Nut	1
	7241	Transmission Drive Pulley (3-1/4")	1	F009	F009	5/16-18 Whiz Lock Nut	2
5	7232	Ground Drive Belt (A45)	1	F010	F010	5/16-24 ESNA Nut	2
6	5027	Lockout Mount	2	F012	F012	3/8-16 Keps Nut	3
7	5028-3	Complete Trans. Lockout Assm (Incl. Mt.)	2	F023	F023	10-24 ESNA Nut	2
8	5847	Plastic Tip, Lockout Lever	2	F027	F027	10-24 X 5/8 PPHMS	2
9	5057	Lockout Cam (Fits 5028-3)	2	F032	F032	1/4-20 X 3/4 Hex Bolt	2
10	5028	Lockout Lever Assembly	2	F034	F034	5/16-18 X 3/4 Hex Bolt	1
11	5025	Hydrostatic Drive (LH, CCW, 700-032)	1	F040	F040	3/8-16 X 1-1/2 Hex Bolt	1
12	7209	Bridge Assembly (MD/MT)	1	F043	F043	3/8-16 X 3 Hex Bolt	2
13	5212	Transmission Control Arm	2	F049	F049	5/16 SAE Washer	4
14	7213	Control Rod, RH	1	F050	F050	1/4 SAE Washer	2
15	7221	Compression Spring, Transmission Control	2	F051	F051	3/8 SAE Washer	2
16	7390-1	Battery Pan	1	F060	F060	AN960516 Washer	1
17	5830	Grease Fitting	5	F063	F063	3/8 Internal Star Lock Washer	2
18	5450-2	Steering Lever RH	1	F064	F064	1/8 X 1/2 Woodruff Key (#3)	2
19	5850	Handle Grip	2	F068	F068	1/8 X 1 Cotter Pin	1
20	5281-5	Clevis Pin (1/4 X 0.80)	1	F069	F069	3/32 X 1/2 Cotter Pin	1
21	5280	1/4" Clevis	1	F093	F093	5/16-18 X 1 Hex Bolt	2
22	5173	FSC Actuator Rod	1	F134	F134	AN960816L Washer	3
23	5172	FSC Actuator Bearing	1	F182	F182	5/8 X 1/4 X 1/8 Washer	2
24	5142-2	FSC Actuator Cam	1	F183	F183	.700 X .312 X .074 Washer	2
25	5141	FSC Friction washer	2	F186	F186	5/64 X 1/2 Cotter Pin	1
26	5142-5	FSC Key	1	F192	F192	3/8-24 Self-Locking Nut	1
27	7140-1	FSC Friction Body Assembly	1	F193	F193	Washer, 3/8 Belleville Spring	3
28	7140	FSC Control Assembly	1				
29	7300	Chassis Frame (MD)	1				
30	5219	FSC Extension Spring	1				
31	5470-1	Speed Control Stop	1				
32	5463	Steering Lever Actuator	2				
33	5214-1	Bearing, Steering Lever Actuator	2				
34	5451-2	Steering Lever, LH	1				
35	7214	Control Rod, LH	1				
36	5217	Pivot Pin, Steering Lever	1				

* See Figure C5 For Earlier Model Application

CHASSIS ASSEMBLY PARTS LIST (FIGURE C7)

ITEM NO.	PART NO.	DESCRIPTION	NO. REQ'D	ITEM NO.	PART NO.	DESCRIPTION	NO. REQ'D
1	7050	PTO Gearbox	1	F002	F002	10-24 Keps Nut	1
2	7234	Blower Belt (3VX280)*	1	F004	F004	1/4-20 Keps Nut	8
3	7238	Blower Drive Pulley*	1	F009	F009	5/16-18 Whiz Lock Nut	1
4	7245	Idler Pulley*	1	F012	F012	3/8-16 Keps Nut	3
5	7239	Blower Pulley (3V)*	1	F026	F026	10-24 X 1/2 PPHMS	1
6	5595-2	Blower Intake Cover*	1	F034	F034	5/16-18 X 3/4 Hex Bolt	1
7	7833	Cable Clamp, 7/8"*	1	F038	F038	3/8-16 X 1 Hex Bolt	1
8	6526	Blower Intake Tube (10 Inch)*	1	F040	F040	3/8-16 X 1-1/2 Hex Bolt	1
9	6525-2	Blower Faceplate (10 Inch Blower)*	1	F042	F042	3/8-16 X 2-1/4 Hex Bolt	1
10	6545	Blower Wheel (10 Inch Blower)*	1	F054	F054	AN960616 Washer	1
11	5268	Bearing, 3/4" (Locking Collar)*	2	F067	F067	3/16 X 3/16 X 1 Key	1
12	6543	Blower Housing Assembly (10 Inch)*	1	F075	F075	5/16-18 X 1/2 SH Set Screw	1
13	5819	Decal, Blower Maintenance*	1	F091	F091	5/16-18 X 5/8 Hex Head Bolt	1
14	7300	Chassis Frame (MD)	1	F114	F114	5/16-18 X 5/8 SH Set Screw	2
15	7527-2	Blower Mount Plate*	1	F132	F132	1/4-20 X 2-3/4 Hex Bolt	2
16	7528	Skid Bar, Blower*	1	F163	F163	5/16-18 X 3/4 SH Set Screw	1
17	5830-3	Grease Fitting (45 Degree)	2	F168	F168	5/16 Split Lock Washer	1
18	8035	Wheel & Tire Assembly w/Bearing Race	2	F205	F205	5/16-18 X 1/4 Set Screw, Knurl Pt	2
	7035-1	Tail Wheel Tire Only (13 x 5.00-6)	0	F218	F218	7/16 Split Lock Washer	2
	8036	Tail Whl & Hub Assm (Incl. Bearing Race)	0	F219	F219	7/16-14 X 1-1/4 Hex Bolt	2
	8037-2	Bearing Race	0	F231	F231	1/4 X 3/4 Woodruff Key (#806)	1
19	8037	Bearing Cone, Tail Wheel	4	F239	F239	7/16-14 X 1-1/2 Hex Bolt	1
20	8038-1	Spacer, Tail Wheel Axle	2				
21	8037-1	Seal, Tail Wheel	4				
22	8039	Nut, Tail Wheel Axle	2				
23	5267-1	Retainer Collar (1")	1				
24	5270-1	Pivot Bearing, Tail Wheel	2				
25	8038	Tail Wheel Axle	1				
26	7420	Tail Wheel Fork	1				
27	7201	Bearing Inner Race*	2				
28	7201-1	Needle Bearing*	2				
29	5221	Extension Spring*	1				
30	7364	Blower Belt Tightener Arm*	1				
31	5841	Retainer Washer*	1				
32	7275	Universal Joint Tube Assembly	1				
33	5832	Cable Clamp, 1/2"	1				
34	7857	Mount Bracket, Cable Clamp	1				
35	6542	Complete Blower Assembly (10 Inch)*	1				
36	6875	Decal, PTO Alignment Arrow	1				

* Used On GHS Model Only

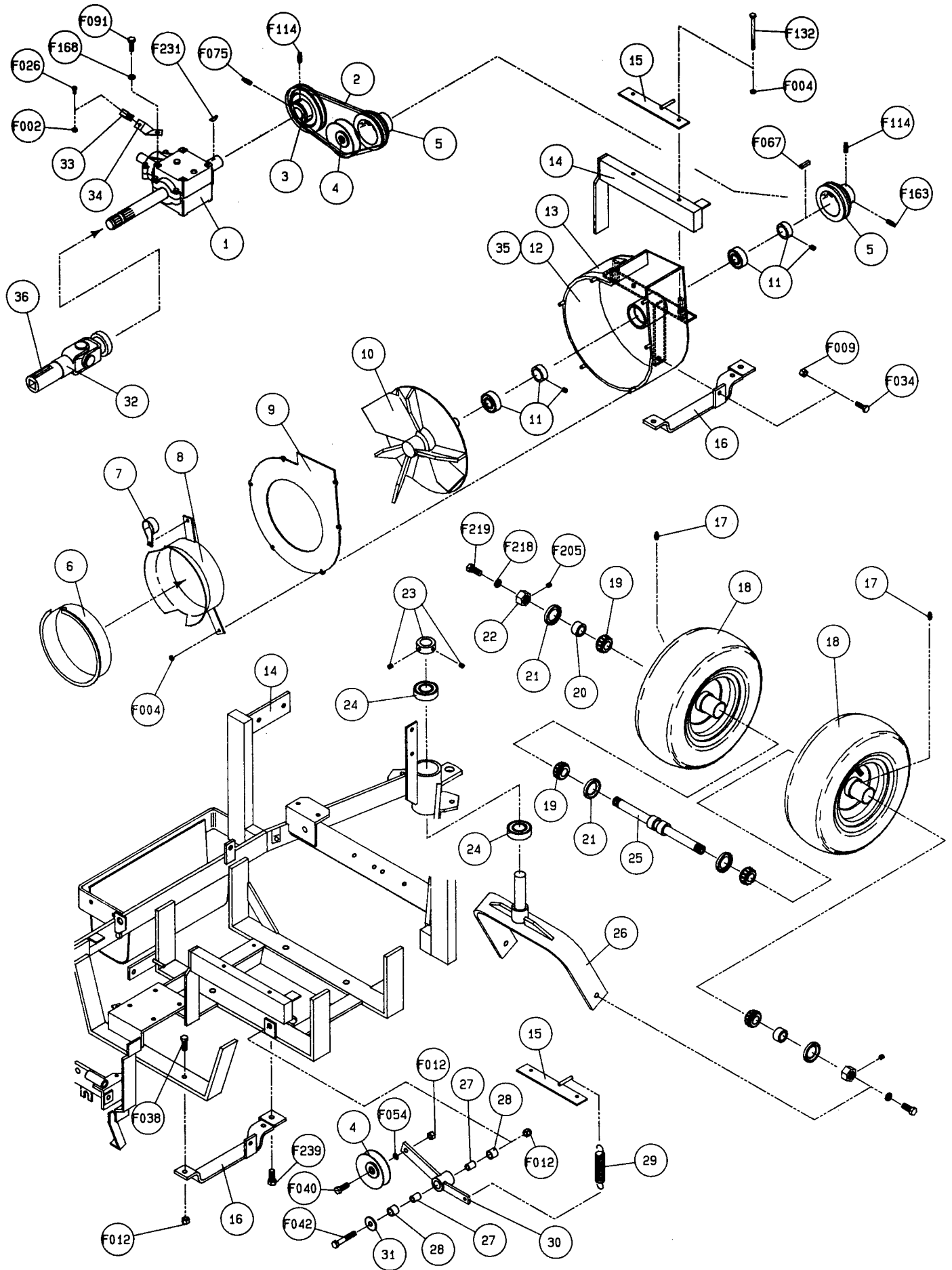


Figure C7 – Chassis Assembly

7306 INSTRUMENT PANEL ASSEMBLY PARTS LIST (FIGURE C8)

ITEM NO.	PART NO.	DESCRIPTION	NO. REQ'D	ITEM NO.	PART NO.	DESCRIPTION	NO. REQ'D
1	5995	Toggle Switch, Off-On	1	F250	F250	6-32 X 3/8 PPHMS	4
2	5995-2	Switch Boot (Fits 5995)	1	F251	F251	6-32 Keps Nut	4
3	7995	Rocker Switch, Off-On	1				
4	7995-5	Power Lead Wire	1				
5	7536-2	Power Lead Wire	1				
6	7536-3	Ground Wire	1				
7	7990	Hourmeter	1				
8	7990-1	Hourmeter Kit*	1				
9	7995-6	Ground Wire	1				
10	7823	Instrument Panel Decal	1				
11	7960-1	Ignition Key (2)	1				
12	NS	Panel Faceplate	1				
13	NS	Plastic Spacer	6				
14	7960	Ignition Switch w/Keys	1				
15	7306-5	Oil Pressure Gauge	1				
16	7306-3	Water Temperature Gauge	1				
17	6941-4	30 Amp Fuse	1				
18	6941-3	10 Amp Fuse	1				
19	6941-2	5 Amp Fuse	1				
20	7536	Warning Horn	1				
21	7536-1	Warning Horn Kit*	1				
22	7306-8	Indicator Light Bulb, Small	1				
23	7306-7	Indicator Light Bulb, Large	7				
24	NS	Plastic Washer	6				
25	NS	Hex Nut	6				
26	NS	Instrument Panel Circuit Board	1				
27	6941	Relay Switch	1				

* Kit Includes Connecting Wires

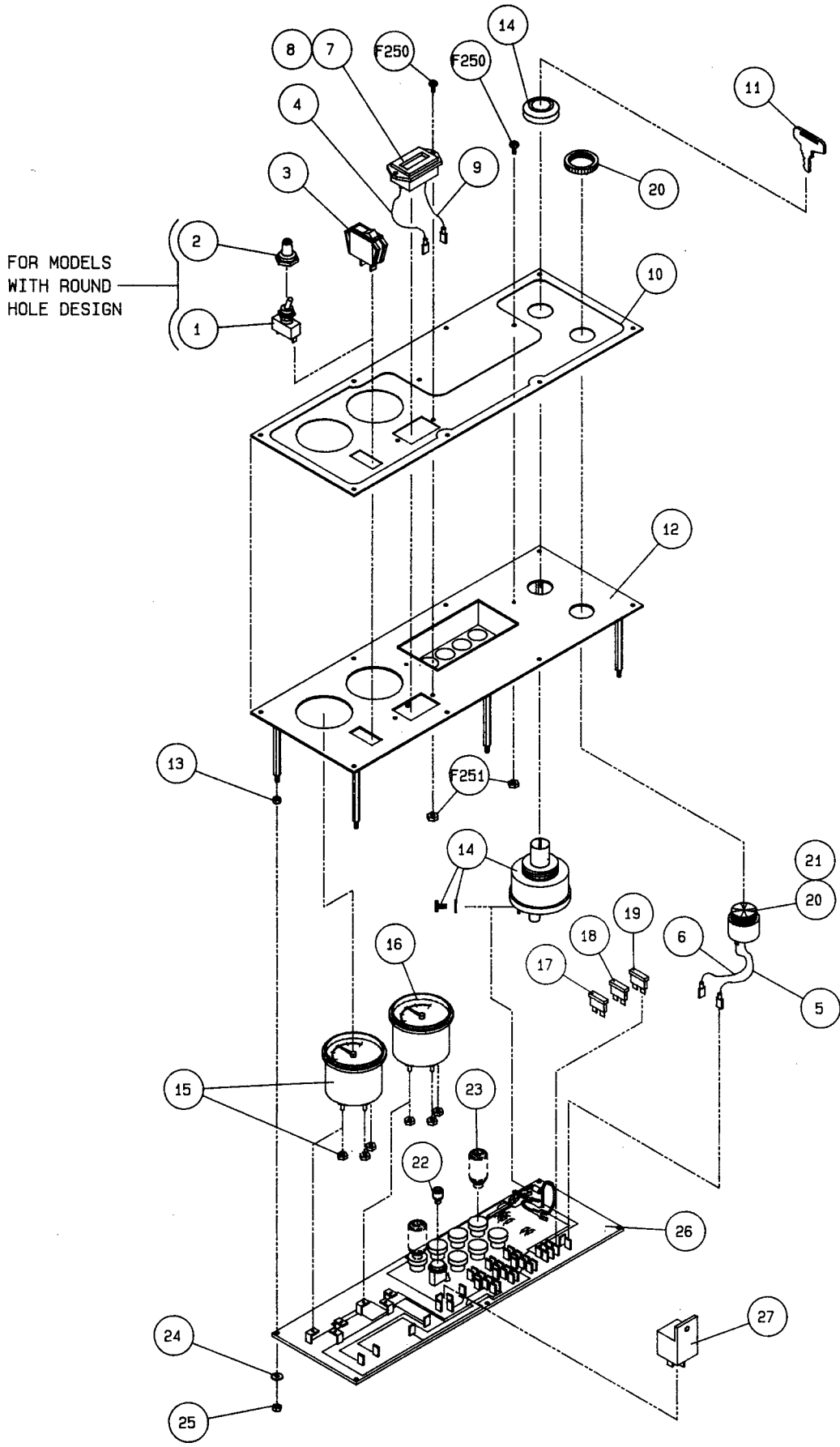


Figure C8 – Instrument Panel Assembly (7306)

MODEL MDG SPECIAL PARTS LIST (FIGURE C9)

ITEM NO.	PART NO.	DESCRIPTION	NO. REQ'D	ITEM NO.	PART NO.	DESCRIPTION	NO. REQ'D
1	8943	Positive Battery Lead Wire	1	47	7306-4	Water Temperature Sender Unit	1
2	8941	Circuit Breaker W/Reset (15 Amp)	1	48	7023	Oil Filter (15841-32439 Kubota)	1
3	7209	Bridge Assembly (MD/MT)	1				
4	7945	Wire Harness Assembly (MDG)	1	F002	F002	10-24 Keps Nut	2
5	7306	Instrument Panel (Less Glow Plug Light)	1	F009	F009	5/16-18 Whiz-Lock Nut	3
6	5996-5	Bullet Connector Plug (Female)*	2	F026	F026	10-24 X 1/2 PPHMS	2
7	7385	Panel Box	1	F049	F049	5/16 SAE Washer	2
8	7825	Walker Decal	1	F062	F062	#8 Internal Star Lock Washer	2
9	7392	Coil Mount	1	F072	F072	1/4" E-Ring**	1
10	NS	Coil (12581-68900 Kubota)	1	F079	F079	A/A66D Alum Pop Rivet	4
11	5996-4	Bullet Connector Plug (Male)	2	F091	F091	5/16-18 X 5/8 Hex Bolt	3
12	7840	Hose Clamp	2	F168	F168	5/16 Split-Lock Washer	1
13	7347	Throttle Cable Mount Bracket (MDG)	1	F232	F232	10-32 Keps Nut	2
14	7306-2	Control Module (MDG)	1	F233	F233	M8 X 1.25 X 16 Hex Bolt	1
15	7210	Module Mount (MDG)	1	F260	F260	M4 X .7 X 6 PPHMS	1
16	7019	Air Intake Hose (MDG)	1				
17	7015-5	Fuel Line, Engine (MDG)	1				
18	NS	Fuel Pump (68371-51210 Kubota)	1				
19	7220	Throttle Cable	1				
20	7840-2	Fuel Line Clamp (Screw Type)	6				
21	7015-1	Fuel Line, Pump In	1				
22	5082	Fuel Tank Cap	1				
23	6046	Fuel Tank (3 Gallon Molded)	1				
24	7020	Fuel Filter (In-Line)	1				
25	7015	Fuel Line, Tank	1				
26	5083-1	Rubber Bushing, Fuel Tank	1				
27	5083	Fuel Shut-Off Valve & Filter	1				
28	7111	Choke Mount Bracket	1				
29	7109	Choke Control And Cable	1				
30	NS	Kubota Engine, Gas (WG600-B Kubota)	1				
31	7389-1	Splash Guard (MDG)	1				
32	7300	Chassis Frame (MD)	1				
33	5940-4	Brass Female Wire Clip*	64				
34	5940-5	Brass Male Wire Clip*	2				
35	7942-4	Single Connector, Female*	1				
36	7942-8	8 Pin Connector, Female*	5				
37	7942-3	2 Pin Connector, Male*	1				
38	7942-5	5 Pin Connector, Female*	1				
39	7942-6	6 Pin Connector, Female*	2				
40	7942-2	Safety Switch Adapter Plug*	1				
41	7942-9	3 Pin Connector, Female*	1				
42	7942-7	Male Connector to Regulator*	1				
43	7821-2	Color Code Dot, Red	4				
44	7821-1	Color Code Dot, White	4				
45	7833	Cable Clamp, 7/8"	2				
46	5940-7	Brass Female Wire Clip*	4				

* Repair Parts For P/N 7945 Wire Harness

** Part Used To Retain Choke Cable End To Engine

DGHS36 DECK ASSEMBLY PARTS LIST (FIGURE D1)

ITEM NO.	PART NO.	DESCRIPTION	NO. REQ'D	ITEM NO.	PART NO.	DESCRIPTION	NO. REQ'D
1	5744-1	Spring Clip Bracket	1	39	5754	Backup Plate	1
2	5743-2	Counterweight Spring	2	40	5755	Chute Lower Lip	1
3	5743-3	Eye Bolt, Counterweight Spring Tension	2	41	5726	Chute Hinge	1
4	5830	Grease Fitting	4	42	5701-4	36" Deck Housing, GHS	1
5	5743-1	Spring Cover	2	43	5808	Decal, Danger Rotating Blade	2
6	5975-3	Cable Tie, 50 X 7	4	44	5706	Blade Hub And Trash Guard	2
7	5775-2	Hitch Pin, #6	6	45	5705-2	Blade, 20" LH Rotation	1
8	6430-2	Deck Support Arm, LH	1	46	5705-0	Blade, 20" RH Rotation	1
	6430-1	Deck Support Arm, RH (Not Illustrated)	1	47	5705-6	Blade Set, 36" GHS Deck Incl. Hub	1
9	5727-1	Washer Shim, 1/4" Thick	4	48	5747-1	Safety Tread (6 X 19)	1
10	5740-2	Deck Pin Bushing	4	49	5858	Deck Serial Number Plate	1
11	5748	Safety Tread (2 X 6)	2				
12	5749-1	Deck Lift Rod (36" Deck)	1	P007	P007	Gasket, Cap (Peerless #788030)	4
13	5708-3	36" Deck Carrier Frame	1				
	5700-5	Complete 36" Carrier Frame Assembly	0	F002	F002	10-24 Keps Nut	4
14	5683	Pivot Bearing (Deck Caster Wheel)	4	F005	F005	1/4-20 ESNA Nut	2
15	5770-2	Caster Wheel Fork	2	F012	F012	3/8-16 Keps Nut	2
16	5714-7	Bearing Cap (Fits 5715-3 or -4)	4	F013	F013	3/8-16 Whiz Lock Nut	4
17	5714-3	Axle Spacer Tube (Fits 5715-3 or -4)	2	F014	F014	3/8-16 ESNA Nut	2
18	5715-4	Pneumatic Deck Caster Wheel	2	F018	F018	5/8-18 Hex Nut	2
	5715-10	Tire Only, Pneumatic 2.80/2.50-4	0	F029	F029	1/4-20 x 1/2 Hex Bolt	4
	5715-9	Tube Only, Pneumatic 2.80/2.50-4	0	F036	F036	1/4-20 x 1/2 Socket Button Head Bolt	2
	5715-3	Semi-Pneumatic Deck Caster Wheel (Opt.)	0	F038	F038	3/8-16 x 1 Hex Bolt	2
19	5830-3	Grease Fitting (45 Degree)	4	F039	F039	3/8-16 x 1-1/4 Hex Bolt	4
20	5714-5	Bearing, Caster Whl (Fits 5715-3 or -4)	2	F047	F047	3/8-16 x 4-1/2 Hex Bolt	2
21	5809	Decal, Walker Mower Logo	1	F051	F051	3/8 SAE Washer	1
22	5682	Compression Spring, Deck Lift Rod	1	F054	F054	AN960616 Washer	1
23	5807-1	Decal, Cutting Height Adjust	1	F055	F055	5/8 SAE Washer	2
24	5747-0	Safety Tread (3-1/4 X 6)	2	F056	F056	5/8 Split Lock Washer	2
25	5746	Gearbox Cover (36" Deck)	1	F062	F062	#8 Internal Star Lock Washer	2
26	5285	Universal Joint Shaft Assembly	1	F065	F065	3/16 X 3/4 Woodruff Key (#9)	1
27	6875	Decal, PTO Alignment Arrow	1	F076	F076	3/8-16 X 5/8 SH Set Screw	1
28	5052-3	Washer, Oblong	4	F079	F079	A/A66D Aluminum Pop Rivet (Field Rpr.)	8
29	5052-1	Blade Drive Gearbox (LH Rotation)	2	F111	F111	1/8 X 3/4 Cotter Pin	1
30	5060	Gearbox Connector Tube (2-1/2")	1	F123	F123	1" External Snap Ring (Fits 5740-2)	4
31	5745	PTO Shaft Guard	1	F124	F124	10-32 x 3/8 Taptite Screw	9
32	6054	Spline Coupling	3	F166	F166	Retainer Ring (Fits 5743-2)	4
33	5051	Tee Gearbox	1	F191	F191	3/8 X 1-1/2 X 3/16 Washer (Fits 5770-2)	2
34	6732-2	Connecting Shaft (4")	1	F202	F202	10-24 x 5/8 SCH Machine Screw (Grade 8)	4
35	5061	Gearbox Connector Tube (6-1/2")	1	F206	F206	#2 X 3/16 Drive Pin	2
36	5706-4	Seal Protector Plate	3	F211	F211	1/4-20 x 7/8 Hex Bolt	16
37	5797	Discharge Chute (Only)	1	F224	F224	Semi-Tubular Rivet (3/16 X 7/16)	8
38	5794	Discharge Chute Assm (6-1/2" Intake)	1	F229	F229	C-Clip, 13/16"	2

NOTE: Unitized Deck Gear Drive Shown By This Illustration
Begins Approximately With S/N DX-13950

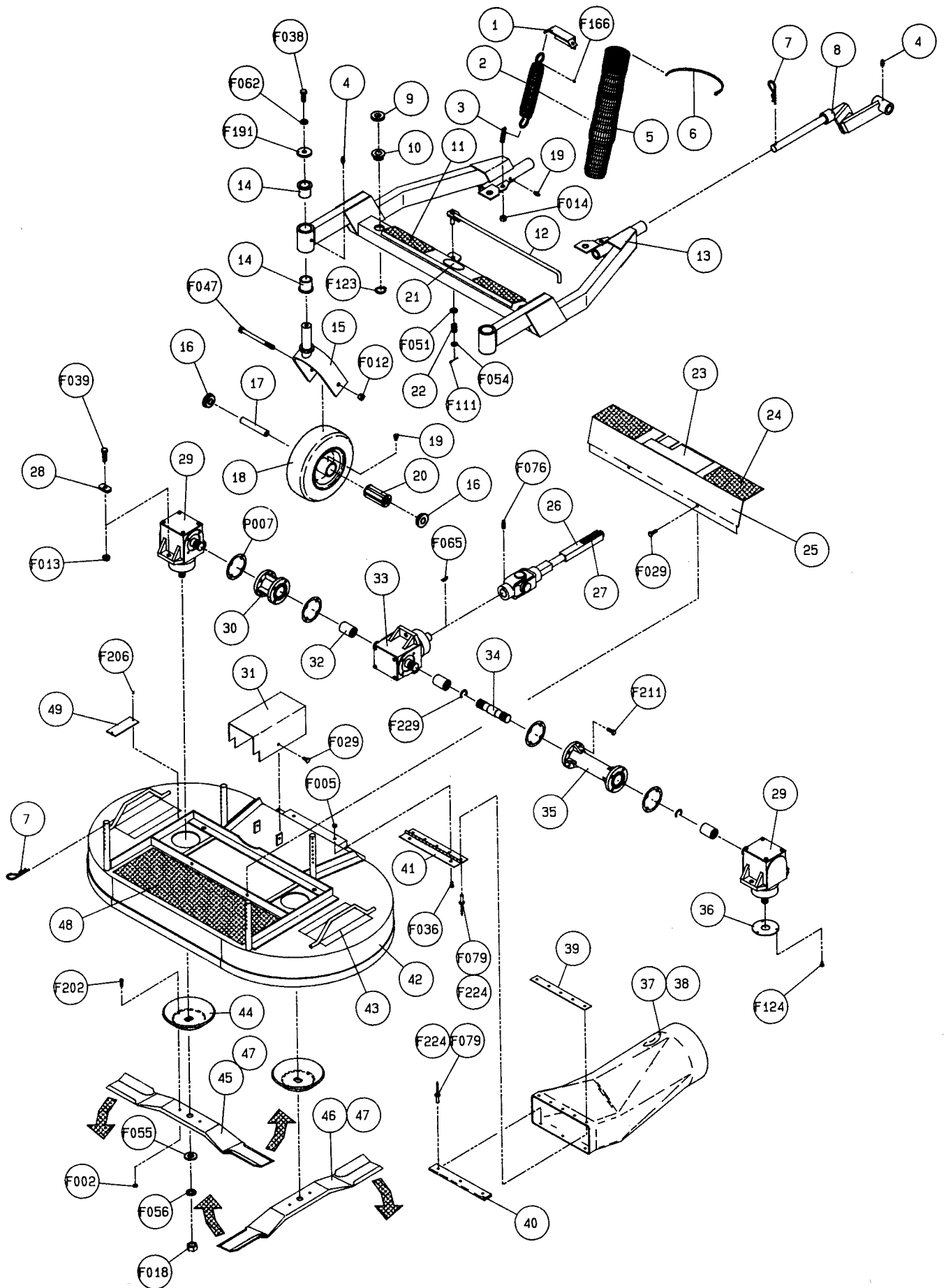


Figure D1 - DGHS36 Deck Assembly

DSD36 DECK ASSEMBLY PARTS LIST (FIGURE D2)

ITEM NO.	PART NO.	DESCRIPTION	NO. REQ'D	ITEM NO.	PART NO.	DESCRIPTION	NO. REQ'D
1	5744-1	Spring Clip Bracket	1	37	5706-4	Seal Protector Plate	3
2	5743-2	Counterweight Spring	2	38	5702-3	36" Deck Housing, SD	1
3	5743-3	Eye Bolt, Counterweight Spring Tension	2	39	5808	Decal, Danger Rotating Blade	2
4	5830	Grease Fitting	4	40	5706	Blade Hub And Trash Guard	2
5	5743-1	Spring Cover	2	41	5705-1	Blade, 20" RH Rotation	2
6	5975-3	Cable Tie, 50 X 7	4	42	5705-5	Blade Set, 36" SD Deck Incl. Hub	1
7	5775-2	Hitch Pin, #6	6	43	5747-1	Safety Tread (6 X 19)	1
8	6430-2	Deck Support Arm, LH	1	44	5709-2	Discharge Shield, Hinged Mount	1
	6430-1	Deck Support Arm, RH (Not Illustrated)	1	45	5848	Decal, Danger Side Discharge Shield	1
9	5727-1	Washer Shim, 1/4" Thick	4	46	5858	Deck Serial Number Plate	1
10	5740-2	Deck Pin Bushing	4				
11	5748	Safety Tread (2 X 6)	2	P007	P007	Gasket, Cap (Peerless #788030)	4
12	5749-1	Deck Lift Rod (36" Deck)	1				
13	5708-3	36" Deck Carrier Frame	1	F002	F002	10-24 Keps Nut	4
	5700-5	Complete 36" Carrier Frame Assembly	0	F012	F012	3/8-16 Keps Nut	2
14	5683	Pivot Bearing (Deck Caster Wheel)	4	F013	F013	3/8-16 Whiz Lock Nut	4
15	5770-2	Caster Wheel Fork	2	F014	F014	3/8-16 ESNA Nut	4
16	5714-7	Bearing Cap (Fits 5715-3 or -4)	4	F018	F018	5/8-18 Hex Nut	2
17	5714-3	Axle Spacer Tube (Fits 5715-3 or -4)	2	F029	F029	1/4-20 X 1/2 Hex Bolt	4
18	5715-4	Pneumatic Deck Caster Wheel	2	F038	F038	3/8-16 X 1 Hex Bolt	2
	5715-10	Tire Only, Pneumatic 2.80/2.50-4	0	F039	F039	3/8-16 X 1-1/4 Hex Bolt	6
	5715-9	Tube Only, Pneumatic 2.80/2.50-4	0	F047	F047	3/8-16 X 4-1/2 Hex Bolt	2
	5715-3	Semi-Pneumatic Deck Caster Wheel (Opt.)	0	F051	F051	3/8 SAE Washer	1
19	5830-3	Grease Fitting (45 Degree)	4	F054	F054	AN960616 Washer	1
20	5714-5	Bearing, Caster Whl (Fits 5715-3 or -4)	2	F055	F055	5/8 SAE Washer	2
21	5809	Decal, Walker Mower Logo	1	F056	F056	5/8 Split Lock Washer	2
22	5682	Compression Spring, Deck Lift Rod	1	F059	F059	3/8 Wavey Spring Washer	2
23	5807-1	Decal, Cutting Height Adjust	1	F062	F062	#8 Internal Star Lock Washer	2
24	5747-0	Safety Tread (3-1/4 X 6)	2	F065	F065	3/16 X 3/4 Woodruff Key (#9)	1
25	5746	Gearbox Cover (36" Deck)	1	F076	F076	3/8-16 X 5/8 SH Set Screw	1
26	5285	Universal Joint Shaft Assembly	1	F111	F111	1/8 X 3/4 Cotter Pin	1
27	6875	Decal, PTO Alignment Arrow	1	F123	F123	1" External Snap Ring (Fits 5740-2)	4
28	5052-3	Washer, Oblong	4	F124	F124	10-32 X 3/8 Taptite Screw	9
29	5053-1	Blade Drive Gearbox (RH Rotation)	1	F166	F166	Retainer Ring (Fits 5743-2)	4
30	5060	Gearbox Connector Tube (2-1/2")	1	F191	F191	3/8 X 1-1/2 X 3/16 Washer (Fits 5770-2)	2
31	6054	Spline Coupling	3	F202	F202	10-24 X 5/8 SCH Machine Screw (Grade 8)	4
32	5051	Tee Gearbox	1	F206	F206	#2 X 3/16 Drive Pin	2
33	5745	PTO Shaft Guard	1	F211	F211	1/4-20 X 7/8 Hex Bolt	16
34	6732-2	Connecting Shaft (4")	1	F229	F229	C-clip, 13/16"	2
35	5061	Gearbox Connector Tube (6-1/2")	1				
36	5052-1	Blade Drive Gearbox (LH Rotation)	1				

NOTE: Unititized Deck Gear Drive Shown By This Illustration Begins Approximately With S/N DX-13950

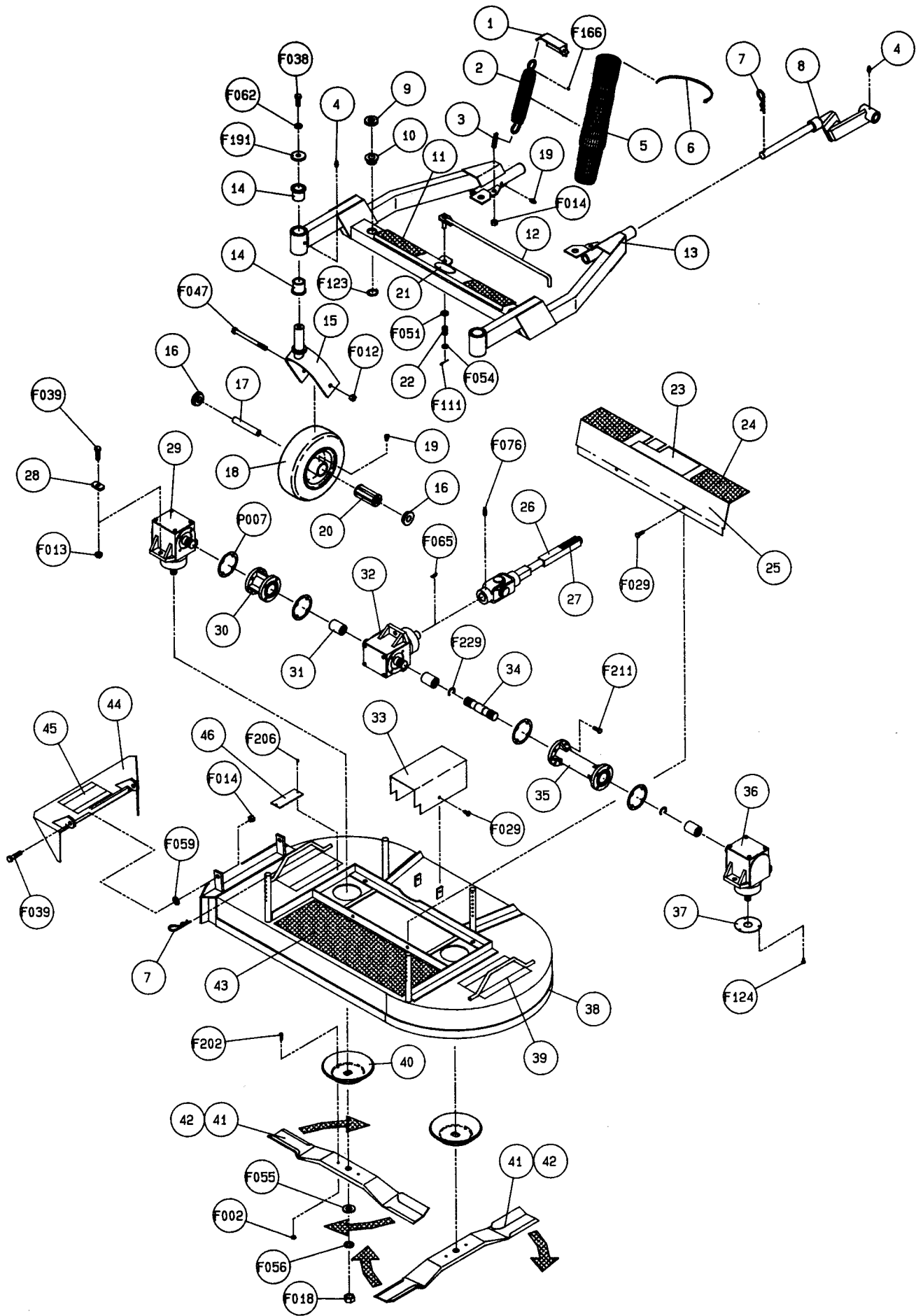


Figure D2 - DSD36 Deck Assembly

DSD42 DECK ASSEMBLY PARTS LIST (FIGURE D3)

ITEM NO.	PART NO.	DESCRIPTION	NO. REQ'D	ITEM NO.	PART NO.	DESCRIPTION	NO. REQ'D
1	5744-1	Spring Clip Bracket	1	38	5706-4	Seal Protector Plate	3
2	5743-2	Counterweight Spring	2	39	5703-3	42" Deck Housing, SD	1
3	5743-3	Eye Bolt, Counterweight Spring Tension	2	40	5808	Decal, Danger Rotating Blade	2
4	5830	Grease Fitting	4	41	5706	Blade Hub And Trash Guard	2
5	5743-1	Spring Cover	2	42	5705-3	Blade, 22" RH Rotation	2
6	5975-3	Cable Tie, 50 X 7	4	43	5705-7	Blade Set, 42" SD Deck Incl. Hub	1
7	5775-2	Hitch Pin, #6	6	44	5747-1	Safety Tread (6 X 19)	1
8	6430-2	Deck Support Arm, LH	1	45	5709-2	Discharge Shield, Hinged Mount	1
	6430-1	Deck Support Arm, RH (Not Illustrated)	1	46	5848	Decal, Danger Side Discharge Shield	1
9	5727-1	Washer Shim, 1/4" Thick	4	47	5858	Deck Serial Number Plate	1
10	5740-2	Deck Pin Bushing	4				
11	5748	Safety Tread (2 X 6)	2	P007	P007	Gasket, Cap (Peerless #788030)	4
12	5786-1	Deck Lift Rod (42"/54" Deck)	1				
13	5719-3	42" Deck Carrier Frame	1	F002	F002	10-24 Keps Nut	4
	5700-6	Complete 42" Carrier Frame Assembly	0	F012	F012	3/8-16 Keps Nut	2
14	5683	Pivot Bearing (Deck Caster Wheel)	4	F013	F013	3/8-16 Whiz Lock Nut	4
15	5770-2	Caster Wheel Fork	2	F014	F014	3/8-16 ESNA Nut	4
16	5714-7	Bearing Cap (Fits 5715-3 or -4)	4	F018	F018	5/8-18 Hex Nut	2
17	5714-3	Axle Spacer Tube (Fits 5715-3 or -4)	2	F029	F029	1/4-20 X 1/2 Hex Bolt	4
18	5715-4	Pneumatic Deck Caster Wheel	2	F038	F038	3/8-16 X 1 Hex Bolt	2
	5715-10	Tire Only, Pneumatic 2.80/2.50-4	0	F039	F039	3/8-16 X 1-1/4 Hex Bolt	6
	5715-9	Tube Only, Pneumatic 2.80/2.50-4	0	F047	F047	3/8-16 X 4-1/2 Hex Bolt	2
	5715-3	Semi-Pneumatic Deck Caster Wheel (Opt.)	0	F051	F051	3/8 SAE Washer	1
19	5830-3	Grease Fitting (45 Degree)	4	F054	F054	AN960616 Washer	1
20	5714-5	Bearing, Caster Whl (Fits 5715-3 or-4)	2	F055	F055	5/8 SAE Washer	2
21	5809	Decal, Walker Mower Logo	1	F056	F056	5/8 Split Lock Washer	2
22	5682	Compression Spring, Deck Lift Rod	1	F059	F059	3/8 Wavey Spring Washer	2
23	5807-1	Decal, Cutting Height Adjust	1	F062	F062	#8 Internal Star Lock Washer	2
24	5747-0	Safety Tread (3-1/4 X 6)	2	F065	F065	3/16 X 3/4 Woodruff Key (#9)	1
25	5785	Gearbox Cover (42" Deck)	1	F076	F076	3/8-16 X 5/8 SH Set Screw	1
26	5285	Universal Joint Shaft Assembly	1	F111	F111	1/8 X 3/4 Cotter Pin	1
27	6875	Decal, PTO Alignment Arrow	1	F123	F123	1" External Snap Ring (Fits 5740-2)	4
28	5052-3	Washer, Oblong	4	F124	F124	10-32 X 3/8 Taptite Screw	9
29	5053-1	Blade Drive Gearbox (RH Rotation)	1	F166	F166	Retainer Ring (Fits 5743-2)	4
30	6054	Spline Coupling	4	F191	F191	3/8 X 1-1/2 X 3/16 Washer (Fits 5770-2)	2
31	5062	Gearbox Connector Tube (4-1/2")	1	F202	F202	10-24 x 5/8 SCH Machine Screw (Grade 8)	4
32	6732-1	Connecting Shaft (2")	1	F206	F206	#2 X 3/16 Drive Pin	2
33	5051	Tee Gearbox	1	F211	F211	1/4-20 X 7/8 Hex Bolt	16
34	5745	PTD Shaft Guard	1	F229	F229	C-Clip, 13/16"	4
35	6732-3	Connecting Shaft (6")	1				
36	5063	Gearbox Connector Tube (8-1/2")	1				
37	5052-1	Blade Drive Gearbox (LH Rotation)	1				

NOTE: Unitized Deck Gear Drive Shown By This Illustration Begins Approximately With S/N DX-13950

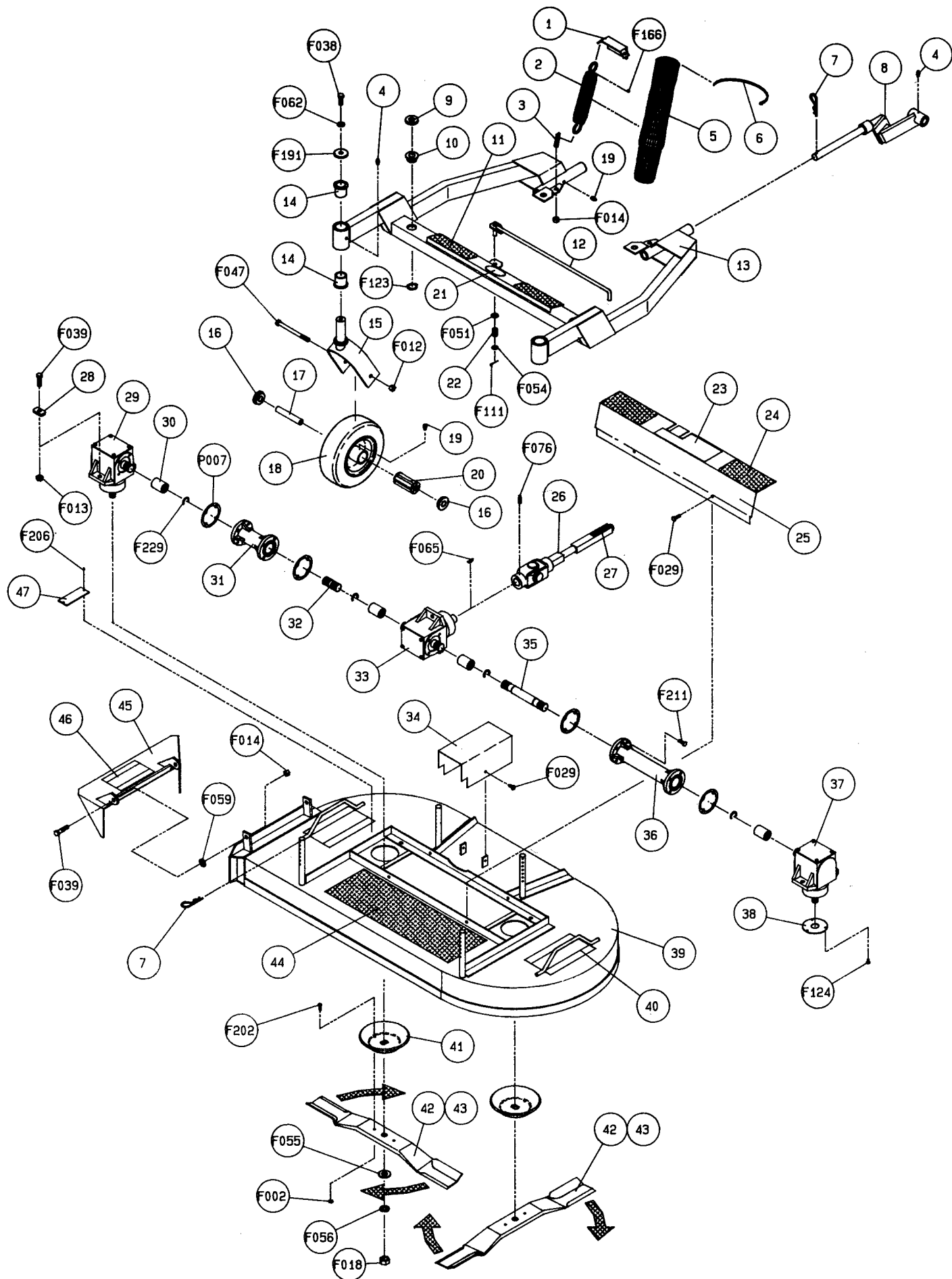


Figure D3 - DSD42 Deck Assembly

DGHS42 DECK ASSEMBLY PARTS LIST (FIGURE D4)

ITEM NO.	PART NO.	DESCRIPTION	NO. REQ'D	ITEM NO.	PART NO.	DESCRIPTION	NO. REQ'D
1	5744-1	Spring Clip Bracket	1	40	5754	Backup Plate	1
2	5743-2	Counterweight Spring	2	41	5726	Chute Hinge	1
3	5743-3	Eye Bolt, Counterweight Spring Tension	2	42	5755	Chute Lower Lip	1
4	5830	Grease Fitting	4	43	5704-4	42" Deck Housing, GHS	1
5	5743-1	Spring Cover	2	44	5808	Decal, Danger Rotating Blade	2
6	5975-3	Cable Tie, 50 X 7	4	45	5705-3	Blade, 22" RH Rotation	1
7	5775-2	Hitch Pin, #6	6	46	5705-8	Blade Set, 42" GHS Deck Incl. Hub	1
8	6430-2	Deck Support Arm, LH	1	47	5705-4	Blade, 22" LH Rotation	1
	6430-1	Deck Support Arm, RH (Not Illustrated)	1	48	5706	Blade Hub And Trash Guard	2
9	5727-1	Washer Shim, 1/4" Thick	4	49	5747-1	Safety Tread (6 X 19)	1
10	5740-2	Deck Pin Bushing	4	50	5858	Deck Serial Number Plate	1
11	5748	Safety Tread (2 X 6)	2				
12	5786-1	Deck Lift Rod (42"/54" Deck)	1	P007	P007	Gasket, Cap (Peerless #788030)	4
13	5719-3	42" Deck Carrier Frame	1				
	5700-6	Complete 42" Carrier Frame Assembly	0	F002	F002	10-24 Keps Nut	4
14	5683	Pivot Bearing (Deck Caster Wheel)	4	F005	F005	1/4-20 ESNA Nut	2
15	5770-2	Caster Wheel Fork	2	F012	F012	3/8-16 Keps Nut	2
16	5714-7	Bearing Cap (Fits 5715-3 or -4)	4	F013	F013	3/8-16 Whiz Lock Nut	4
17	5714-3	Axle Spacer Tube (Fits 5715-3 or -4)	2	F014	F014	3/8-16 ESNA Nut	2
18	5715-4	Pneumatic Deck Caster Wheel	2	F018	F018	5/8-18 Hex Nut	2
	5715-10	Tire Only, Pneumatic 2.80/2.50-4	0	F029	F029	1/4-20 x 1/2 Hex Bolt	4
	5715-9	Tube Only, Pneumatic 2.80/2.50-4	0	F036	F036	1/4-20 x 1/2 Socket Button Head Bolt	2
	5715-3	Semi-Pneumatic Deck Caster Wheel (Opt.)	0	F038	F038	3/8-16 x 1 Hex Bolt	2
19	5830-3	Grease Fitting (45 Degree)	4	F039	F039	3/8-16 x 1-1/4 Hex Bolt	4
20	5714-5	Bearing, Caster Whl (Fits 5715-3 or -4)	2	F047	F047	3/8-16 x 4-1/2 Hex Bolt	2
21	5809	Decal, Walker Mower Logo	1	F051	F051	3/8 SAE Washer	1
22	5682	Compression Spring, Deck Lift Rod	1	F054	F054	AN960616 Washer	1
23	5807-1	Decal, Cutting Height Adjust	1	F055	F055	5/8 SAE Washer	2
24	5747-0	Safety Tread (3-1/4 X 6)	2	F056	F056	5/8 Split Lock Washer	2
25	5785	Gearbox Cover (42" Deck)	1	F062	F062	#8 Internal Star Lock Washer	2
26	5285	Universal Joint Shaft Assembly	1	F065	F065	3/16 X 3/4 Woodruff Key (#9)	1
27	6875	Decal, PTO Alignment Arrow	1	F076	F076	3/8-16 X 5/8 SH Set Screw	1
28	5052-3	Washer, Oblong	4	F079	F079	A/A66D Aluminum Pop Rivet	8
29	5052-1	Blade Drive Gearbox (LH Rotation)	2	F111	F111	1/8 X 3/4 Cotter Pin	1
30	6054	Spline Coupling	4	F123	F123	1" External Snap Ring (Fits 5740-2)	4
31	5062	Gearbox Connector Tube (4-1/2")	1	F124	F124	10-32 x 3/8 Taptite Screw	9
32	6732-1	Connecting Shaft (2")	1	F166	F166	Retainer Ring (Fits 5743-2)	4
33	5745	PTO Shaft Guard	1	F191	F191	3/8 X 1-1/2 X 3/16 Washer (Fits 5770-2)	2
34	5051	Tee Gearbox	1	F202	F202	10-24 x 5/8 SCH Machine Screw (Grade 8)	4
35	6732-3	Connecting Shaft (6")	1	F206	F206	#2 X 3/16 Drive Pin	2
36	5063	Gearbox Connector Tube (8-1/2")	1	F211	F211	1/4-20 x 7/8 Hex Bolt	16
37	5706-4	Seal Protector Plate	3	F224	F224	Semi-Tubular Rivet (3/16 X 7/16)	8
38	5797	Discharge Chute (Only)	1	F229	F229	C-Clip, 13/16"	4
39	5794	Discharge Chute Assm (6-1/2" Intake)	1				

NOTE: Unitized Deck Gear Drive Shown By This Illustration Begins Approximately With S/N DX-13950

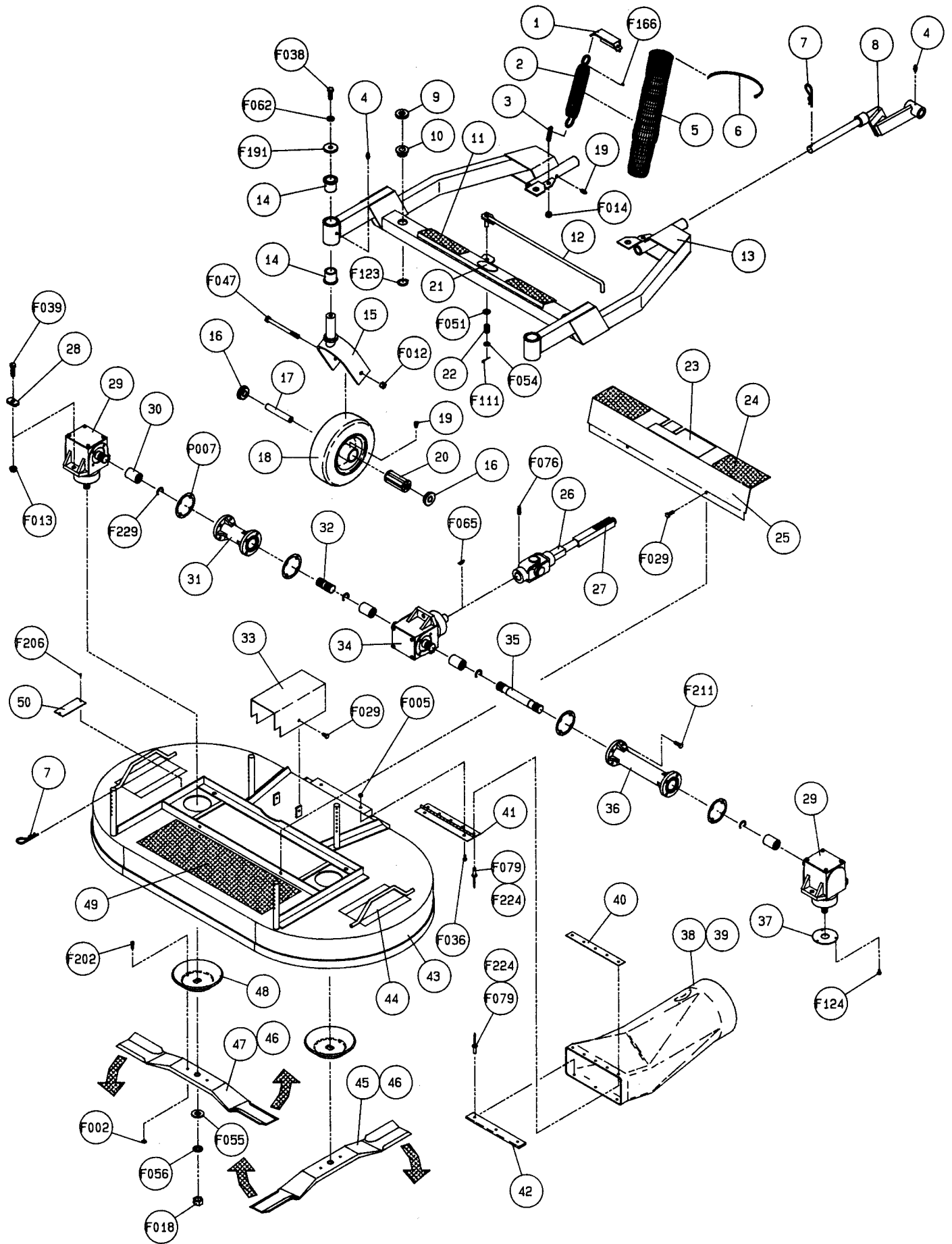


Figure D4 - DGHS42 Deck Assembly

DSD54 DECK ASSEMBLY PARTS LIST (FIGURE D5)

ITEM NO.	PART NO.	DESCRIPTION	NO. REQ'D	ITEM NO.	PART NO.	DESCRIPTION	NO. REQ'D
1	5744-1	Spring Clip Bracket	1	41	6716-2	Rear Axle, Anti-Scalp Roller (Bolt)	1
2	5743-2	Counterweight Spring	2	42	6715	Anti-Scalp Roller	3
3	5743-3	Eye Bolt, Counterweight Spring Tension	2	43	5808	Decal, Danger Rotating Blade	2
4	5830	Grease Fitting	4	44	6705-2	54" Deck Housing, SD	1
5	5743-1	Spring Cover	2	45	5706	Blade Hub And Trash Guard	3
6	5975-3	Cable Tie, 50 X 7	4	46	5705-0	Blade, 20" RH Rotation	3
7	5775-2	Hitch Pin, #6	6	47	5705-9	Blade Set, 54" SD Deck Incl. Hub	1
8	6430-2	Deck Support Arm, LH	1	48	5747-1	Safety Tread (6 X 19)	1
	6430-1	Deck Support Arm, RH (Not Illustrated)	1	49	6716-3	Front Axle, Anti-Scalp Roller (Bolt)	1
9	5727-1	Washer Shim, 1/4" Thick	4	50	6707	Skid Bar, 54" SD Deck	1
10	5740-2	Deck Pin Bushing	4	51	5848	Decal, Danger Side Discharge Shield	1
11	5748	Safety Tread (2 X 6)	2	52	6709	Discharge Shield, 54" SD	1
12	5786-1	Deck Lift Rod (42"/54" Deck)	1	53	5858	Deck Serial Number Plate	1
13	6710-2	54" Deck Carrier Frame	1				
	6700-1	Complete 54" Carrier Frame Assembly	0	P007	P007	Gasket, Cap (Peerless #788030)	6
14	5683	Pivot Bearing (Deck Caster Wheel)	4	F002	F002	10-24 Keps Nut	6
15	5770-2	Caster Wheel Fork	2	F004	F004	1/4-20 Keps Nut	4
16	5714-7	Bearing Cap (Fits 5715-3 or -4)	4	F012	F012	3/8-16 Keps Nut	2
17	5714-3	Axle Spacer Tube (Fits 5715-3 or -4)	2	F013	F013	3/8-16 Whiz Lock Nut	6
18	5715-4	Pneumatic Deck Caster Wheel	2	F014	F014	3/8-16 ESNA Nut	4
	5715-10	Tire Only, Pneumatic 2.80/2.50-4	0	F016	F016	1/2-13 Self-Lock Nut	2
	5715-9	Tube Only, Pneumatic 2.80/2.50-4	0	F018	F018	5/8-18 Hex Nut	3
	5715-3	Semi-Pneumatic Deck Caster Wheel (Opt.)	0	F029	F029	1/4-20 X 1/2 Hex Bolt	4
19	5830-3	Grease Fitting (45 Degree)	4	F031	F031	1/4-20 X 5/8 Hex Bolt	2
20	5714-5	Bearing, Caster Whl (Fits 5715-3 or -4)	2	F038	F038	3/8-16 X 1 Hex Bolt	2
21	5809	Decal, Walker Mower Logo	1	F039	F039	3/8-16 X 1-1/4 Hex Bolt	8
22	5682	Compression Spring, Deck Lift Rod	1	F047	F047	3/8-16 X 4-1/2 Hex Bolt	2
23	5807-1	Decal, Cutting Height Adjust	1	F051	F051	3/8 SAE Washer	1
24	5747-3	Safety Tread (3-1/4 X 11)	2	F054	F054	AN960616 Washer	1
25	6785	Gearbox Cover (54" Deck)	1	F055	F055	5/8 SAE Washer	3
26	5285	Universal Joint Shaft Assembly	1	F056	F056	5/8 Split Lock Washer	3
27	6875	Decal, PTO Alignment Arrow	1	F059	F059	3/8 Wavy Spring Washer	2
28	5052-3	Washer, Oblong	4	F062	F062	#8 Internal Star Lock Washer	2
29	5065	Gearbox Connector Tube (7-1/2")	1	F065	F065	3/16 X 3/4 Woodruff Key (#9)	1
30	5053-1	Blade Drive Gearbox (RH Rotation)	1	F076	F076	3/8-16 X 5/8 SH Set Screw	1
31	6732-4	Connecting Shaft (5")	1	F111	F111	1/8 X 3/4 Cotter Pin	1
32	6054	Spline Coupling	5	F123	F123	1" External Snap Ring (Fits 5740-2)	4
33	5051	Tee Gearbox	1	F124	F124	10-32 X 3/8 Taptite Screw	12
34	5060	Gearbox Connector Tube (2-1/2")	1	F166	F166	Retainer Ring (Fits 5743-2)	4
35	5058	Tee Gearbox, Blade Drive	1	F191	F191	3/8 X 1-1/2 X 3/16 Washer (Fits 5770-2)	2
36	6732-5	Connecting Shaft (11")	1	F202	F202	10-24 x 5/8 SCH Machine Screw (Grade 8)	6
37	5745	PTO Shaft Guard	1	F206	F206	#2 X 3/16 Drive Pin	2
38	5064	Gearbox Connector Tube (13-1/2")	1	F211	F211	1/4-20 X 7/8 Hex Head Bolt	26
39	5052-1	Blade Drive Gearbox (LH Rotation)	1	F229	F229	C-Clip, 13/16"	4
40	5706-4	Seal Protector Plate	4				

NOTE: Unitized Deck Gear Drive Shown By This Illustration Begins Approximately With S/N DX-13950

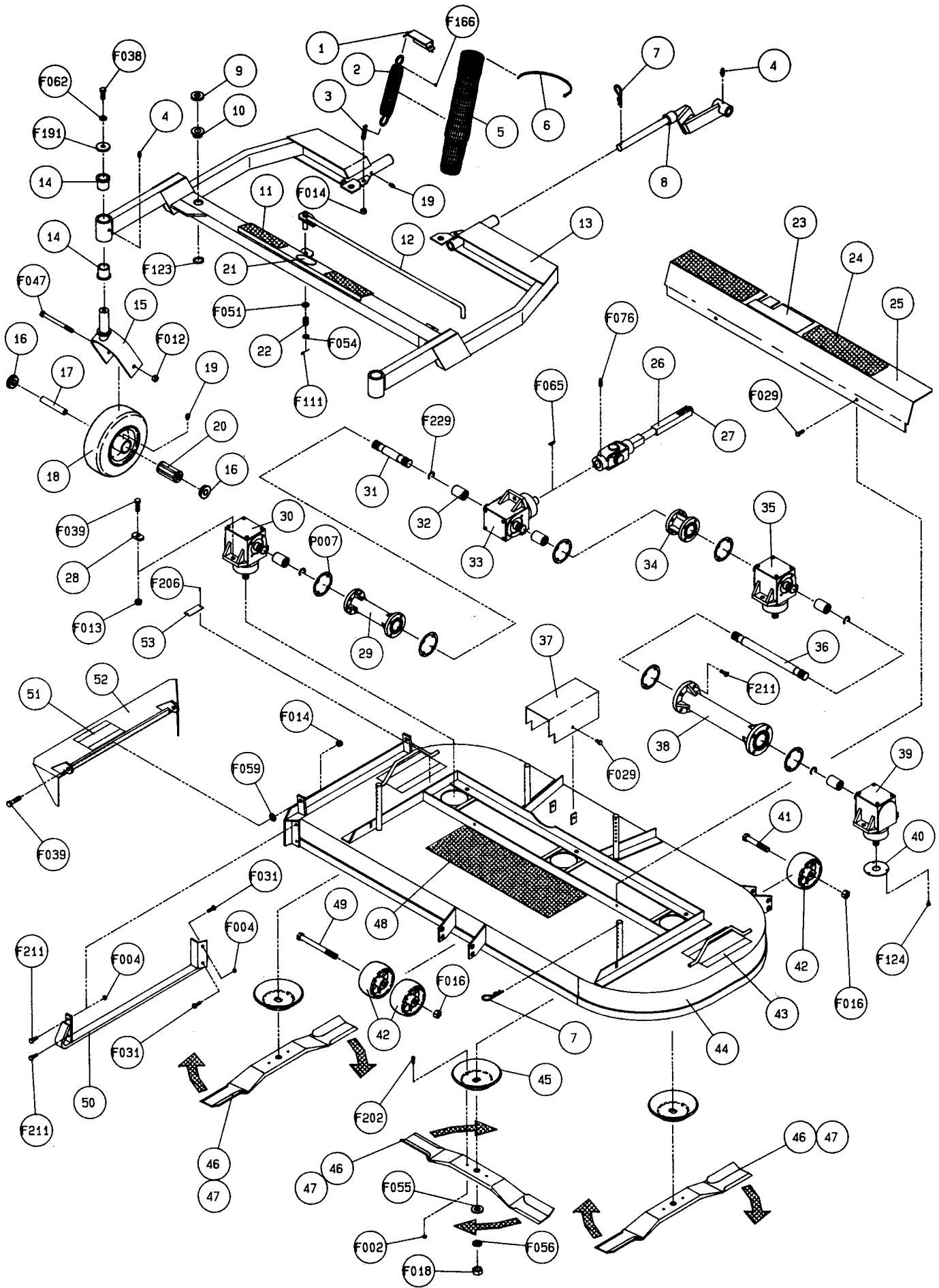


Figure D5 - DSD54 Deck Assembly

DML42 DECK ASSEMBLY PARTS LIST (FIGURE D6)

ITEM NO.	PART NO.	DESCRIPTION	NO. REQ'D	ITEM NO.	PART NO.	DESCRIPTION	NO. REQ'D
1	5744-1	Spring Clip Bracket	1	38	5706-4	Seal Protector Plate	3
2	5743-2	Counterweight Spring	2	39	5701-1	42" Deck Housing, Mulching	1
3	5743-3	Eye Bolt, Counterweight Spring Tension	2	40	5808	Decal, Danger Rotating Blade	2
4	5830	Grease Fitting	4	41	5706	Blade Hub And Trash Guard	2
5	5743-1	Spring Cover	2	42	5705-11	Blade, 22" Upper Mulching	2
6	5975-3	Cable Tie, 50 X 7	4	43	5705-10	Blade, 21" Lower Mulching	2
7	5775-2	Hitch Pin, #6	6	44	5705-12	Blade Set, 42" Mulching Deck Incl. Hub	1
8	6430-2	Deck Support Arm, LH	1	45	5747-1	Safety Tread (6 x 19)	1
	6430-1	Deck Support Arm, RH (Not Illustrated)	1	46	5858	Deck Serial Number Plate	1
9	5727-1	Washer Shim, 1/4" Thick	4				
10	5740-2	Deck Pin Bushing	4	P007	P007	Gasket, Cap (Peerless #788030)	4
11	5748	Safety Tread (2 X 6)	2				
12	5786-1	Deck Lift Rod (42"/54" Deck)	1	F002	F002	10-24 Keps Nut	4
13	5719-3	42" Deck Carrier Frame	1	F012	F012	3/8-16 Keps Nut	2
	5700-6	Complete 42" Carrier Frame Assembly	0	F013	F013	3/8-16 Whiz Lock Nut	4
14	5683	Pivot Bearing (Deck Caster Wheel)	4	F014	F014	3/8-16 ESNA Nut	2
15	5770-2	Caster Wheel Fork	2	F018	F018	5/8-18 Hex Nut	2
16	5714-7	Bearing Cap (Fits 5715-3 or -4)	4	F029	F029	1/4-20 X 1/2 Hex Bolt	4
17	5714-3	Axle Spacer Tube (Fits 5715-3 or -4)	2	F038	F038	3/8-16 X 1 Hex Bolt	2
18	5715-4	Pneumatic Deck Caster Wheel	2	F039	F039	3/8-16 X 1-1/4 Hex Bolt	4
	5715-10	Tire Only, Pneumatic 2.80/2.50-4	0	F047	F047	3/8-16 X 4-1/2 Hex Bolt	2
	5715-9	Tube Only, Pneumatic 2.80/2.50-4	0	F051	F051	3/8 SAE Washer	1
	5715-3	Semi-Pneumatic Deck Caster Wheel (Opt.)	0	F054	F054	AN960616 Washer	1
19	5830-3	Grease Fitting (45 Degree)	4	F055	F055	5/8 SAE Washer	2
20	5714-5	Bearing, Caster Whl (Fits 5715-3 or -4)	2	F056	F056	5/8 Split Lock Washer	2
21	5809	Decal, Walker Mower Logo	1	F062	F062	#8 Internal Star Lock Washer	2
22	5682	Compression Spring, Deck Lift Rod	1	F065	F065	3/16 X 3/4 Woodruff Key (#9)	1
23	5807-1	Decal, Cutting Height Adjust	1	F076	F076	3/8-16 X 5/8 SH Set Screw	1
24	5747-0	Safety Tread (3-1/4 X 6)	2	F111	F111	1/8 X 3/4 Cotter Pin	1
25	5785	Gearbox Cover (42" Deck)	1	F123	F123	1" External Snap Ring (Fits 5740-2)	4
26	5285	Universal Joint Shaft Assembly	1	F124	F124	10-32 X 3/8 Taptite Screw	9
27	6875	Decal, PTO Alignment Arrow	1	F166	F166	Retainer Ring (Fits 5743-2)	4
28	5052-3	Washer, Oblong	4	F191	F191	3/8 X 1-1/2 X 3/16 Washer (Fits 5770-2)	2
29	5053-1	Blade Drive Gearbox (RH Rotation)	1	F202	F202	10-24 x 5/8 SCH Machine Screw (Grade 8)	4
30	6054	Spline Coupling	4	F206	F206	#2 X 3/16 Drive Pin	2
31	5062	Gearbox Connector Tube (4-1/2")	1	F211	F211	1/4-20 X 7/8 Hex Bolt	16
32	6732-1	Connecting Shaft (2")	1	F229	F229	C-Clip, 13/16"	4
33	5051	Tee Gearbox	1				
34	5745	PTO Shaft Guard	1				
35	6732-3	Connecting Shaft (6")	1				
36	5063	Gearbox Connector Tube (8-1/2")	1				
37	5052-1	Blade Drive Gearbox (LH Rotation)	1				

NOTE: Unitized Deck Gear Drive Shown By This Illustration Begins Approximately With S/N DX-13950

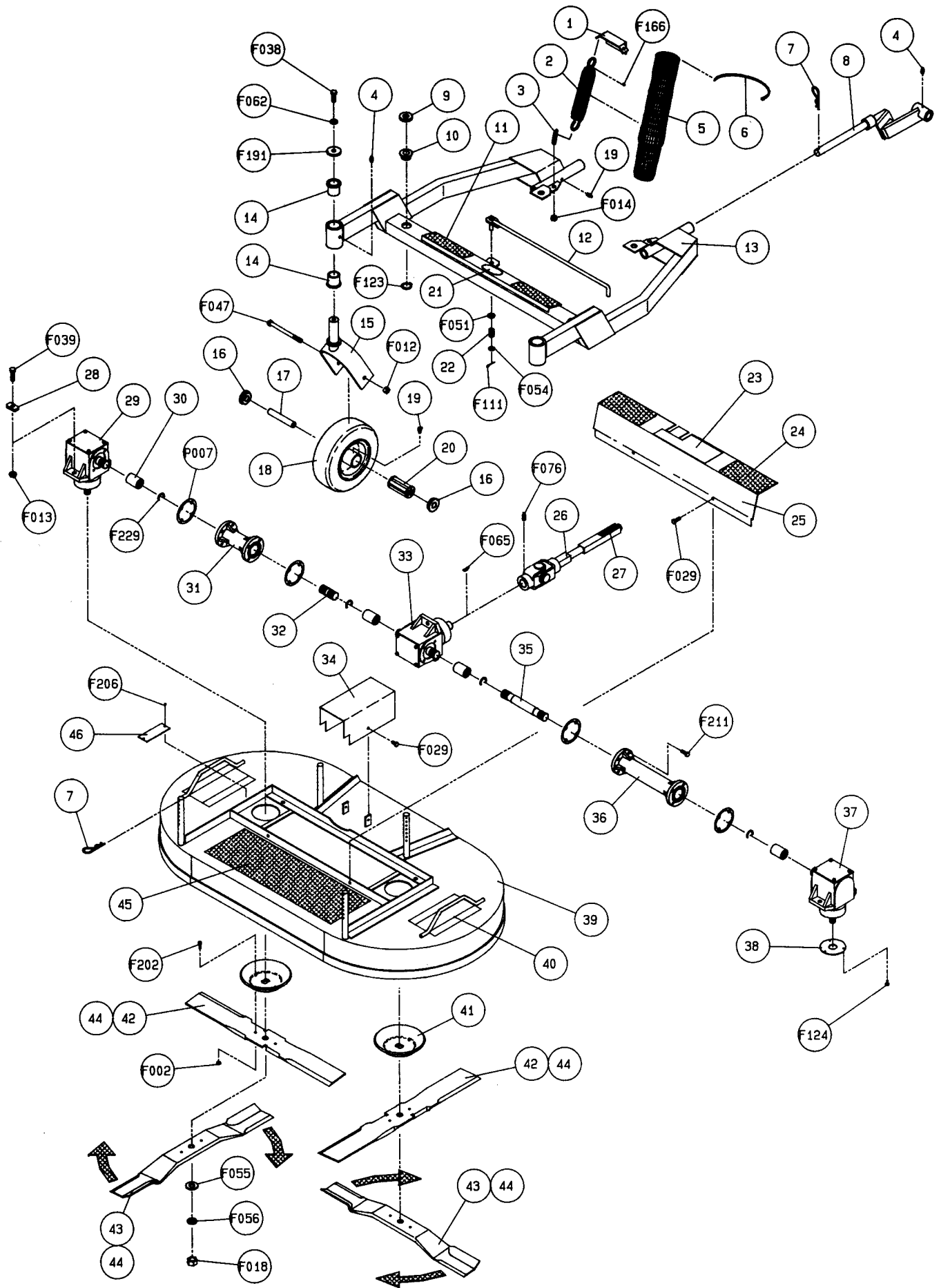


Figure D6 - DML42 Deck Assembly

DGHS48 DECK ASSEMBLY PARTS LIST (FIGURE D7)

ITEM NO.	PART NO.	DESCRIPTION	NO. REQ'D	ITEM NO.	PART NO.	DESCRIPTION	NO. REQ'D
1	5744-1	Spring Clip Bracket	1	40	5754	Backup Plate	1
2	5743-2	Counterweight Spring	2	41	5755	Chute Lower Lip	1
3	5743-3	Eye Bolt, Counterweight Spring Tension	2	42	5726	Chute Hinge	1
4	5830	Grease Fitting	4	43	7701	48" Deck Housing, GHS	1
5	5743-1	Spring Cover	2	44	5808	Decal, Danger Rotating Blade	2
6	5975-3	Cable Tie, 50 X 7	4	45	7705-2	Blade, 25" LH Rotation	1
7	5775-2	Hitch Pin, #6	6	46	7705-1	Blade, 25" RH Rotation	1
8	6430-2	Deck Support Arm, LH	1	47	7705-3	Blade Set, 48" GHS Deck Incl. Hub	1
	6430-1	Deck Support Arm, RH (Not Illustrated)	1	48	5706	Blade Hub And Trash Guard	2
9	5727-1	Washer Shim, 1/4" Thick	4	49	5747-6	Safety Tread (48" GHS Deck)	1
10	5740-2	Deck Pin Bushing	4	50	5858	Deck Serial Number Plate	1
11	5748	Safety Tread (2 X 6)	2				
12	7786	Deck Lift Rod (48" Deck)	1	P007	P007	Gasket, Cap (Peerless #788030)	4
13	7719	48" Deck Carrier Frame	1				
	7700	Complete 48" Carrier Frame Assembly	0	F002	F002	10-24 Keps Nut	4
14	5683	Pivot Bearing (Deck Caster Wheel)	4	F005	F005	1/4-20 ESNA Nut	2
15	5770-2	Caster Wheel Fork	2	F012	F012	3/8-16 Keps Nut	2
16	5714-7	Bearing Cap (Fits 5715-3 or-4)	4	F013	F013	3/8-16 Whiz Lock Nut	4
17	5714-3	Axle Spacer Tube (Fits 5715-3 or -4)	2	F014	F014	3/8-16 ESNA Nut	2
18	5715-4	Pneumatic Deck Caster Wheel	2	F018	F018	5/8-18 Hex Nut	2
	5715-10	Tire Only, Pneumatic 2.80/2.50-4	0	F029	F029	1/4-20 x 1/2 Hex Bolt	4
	5715-9	Tube Only, Pneumatic 2.80/2.50-4	0	F036	F036	1/4-20 x 1/2 Socket Button Head Bolt	2
	5715-3	Semi-Pneumatic Deck Caster Wheel (Opt.)	0	F038	F038	3/8-16 x 1 Hex Bolt	2
19	5830-3	Grease Fitting (45 Degree)	4	F039	F039	3/8-16 x 1-1/4 Hex Bolt	4
20	5714-5	Bearing, Caster Whl (Fits 5715-3 or-4)	2	F047	F047	3/8-16 x 4-1/2 Hex Bolt	2
21	5809	Decal, Walker Mower Logo	1	F051	F051	3/8 SAE Washer	1
22	5682	Compression Spring, Deck Lift Rod	1	F054	F054	AN960616 Washer	1
23	5807-1	Decal, Cutting Height Adjust	1	F055	F055	5/8 SAE Washer	2
24	5747-0	Safety Tread (3-1/4 X 6)	2	F056	F056	5/8 Split Lock Washer	2
25	7785	Gearbox Cover (48" Deck)	1	F062	F062	#8 Internal Star Lock Washer	2
26	7285	Universal Joint Shaft Assembly	1	F065	F065	3/16 X 3/4 Woodruff Key (#9)	1
27	6875	Decal, PTO Alignment Arrow	1	F076	F076	3/8-16 X 5/8 SH Set Screw	1
28	5052-3	Washer, Oblong	4	F079	F079	A/A66D Aluminum Pop Rivet	8
29	5061	Gearbox Connector Tube (6-1/2")	1	F111	F111	1/8 X 3/4 Cotter Pin	1
30	6732-2	Connecting Shaft (4")	1	F123	F123	1" External Snap Ring (Fits 5740-2)	4
31	7745	PTO Shaft Guard (48")	1	F124	F124	10-32 x 3/8 Taptite Screw	9
32	6054	Spline Coupling	4	F166	F166	Retainer Ring (Fits 5743-2)	4
33	5051	Tee Gearbox	1	F191	F191	3/8 X 1-1/2 X 3/16 Washer (Fits 5770-2)	2
34	6732-6	Connecting Shaft (7")	1	F202	F202	10-24 x 5/8 SCH Machine Screw (Grade 8)	4
35	5066	Gearbox Connector Tube (9-1/2")	1	F206	F206	#2 X 3/16 Drive Pin	2
36	5052-1	Blade Drive Gearbox (LH Rotation)	2	F211	F211	1/4-20 x 7/8 Hex Bolt	16
37	5706-4	Seal Protector Plate	3	F224	F224	Semi-Tubular Rivet (3/16 X 7/16)	8
38	5797	Discharge Chute (Only)	1	F229	F229	C-Clip, 13/16"	4
39	5794	Discharge Chute Assm (6-1/2" Intake)	1				

NOTE: Unitized Deck Gear Drive Shown By This Illustration Begins Approximately With S/N DX-13950

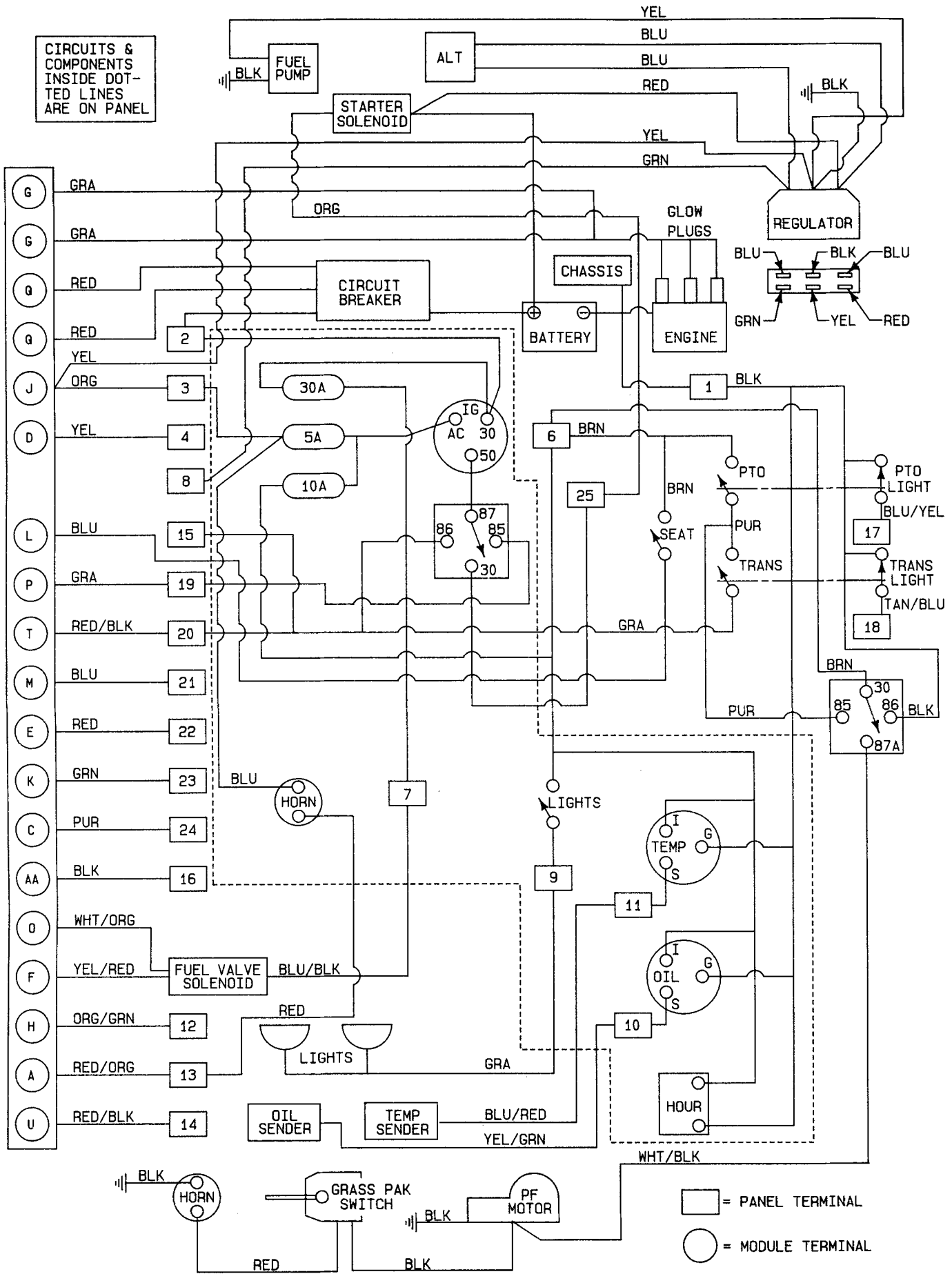
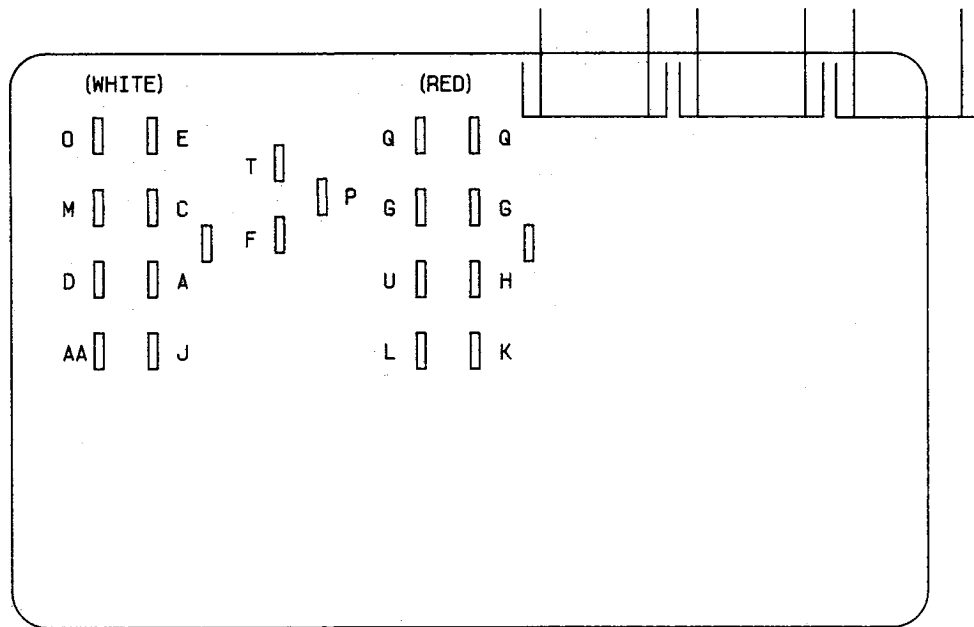


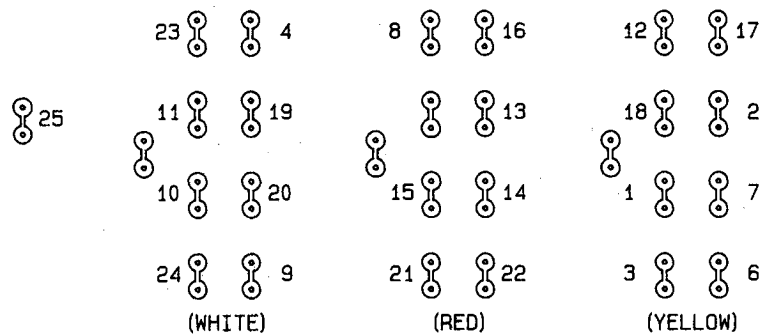
Figure E1 - Wiring Schematic for Model MDD (Diesel)

CONTROL MODULE TERMINAL DESIGNATIONS



CONTROL PANEL TERMINAL DESIGNATIONS

VIEWED FROM OPERATOR'S SEAT



- | | |
|-------------------------------------|--------------------------------|
| 1 - BATTERY NEGATIVE | 14 - MODULE TERMINAL U |
| 2 - BATTERY POSITIVE | 15 - TRANSMISSION SWITCH |
| 3 - MODULE TERMINAL J | 16 - MODULE TERMINAL AA |
| 4 - MODULE TERMINAL D | 17 - PTO LIGHT SWITCH |
| 6 - PTO, TRANS, SEAT & RELAY SWITCH | 18 - TRANSMISSION LIGHT SWITCH |
| 7 - FUEL SOLENOID COMMON | 19 - MODULE TERMINAL P |
| 8 - ALTERNATOR REGULATOR LIGHT | 20 - MODULE TERMINAL T |
| 9 - LIGHTS | 21 - MODULE TERMINAL M |
| 10 - OIL PRESSURE SENSOR | 22 - MODULE TERMINAL E |
| 11 - WATER TEMP SENSOR | 23 - MODULE TERMINAL K |
| 12 - MODULE TERMINAL H | 24 - MODULE TERMINAL C |
| 13 - MODULE TERMINAL A | 25 - STARTER CONTROL |

Figure E2 - Wire Terminal Designations for Model MDD

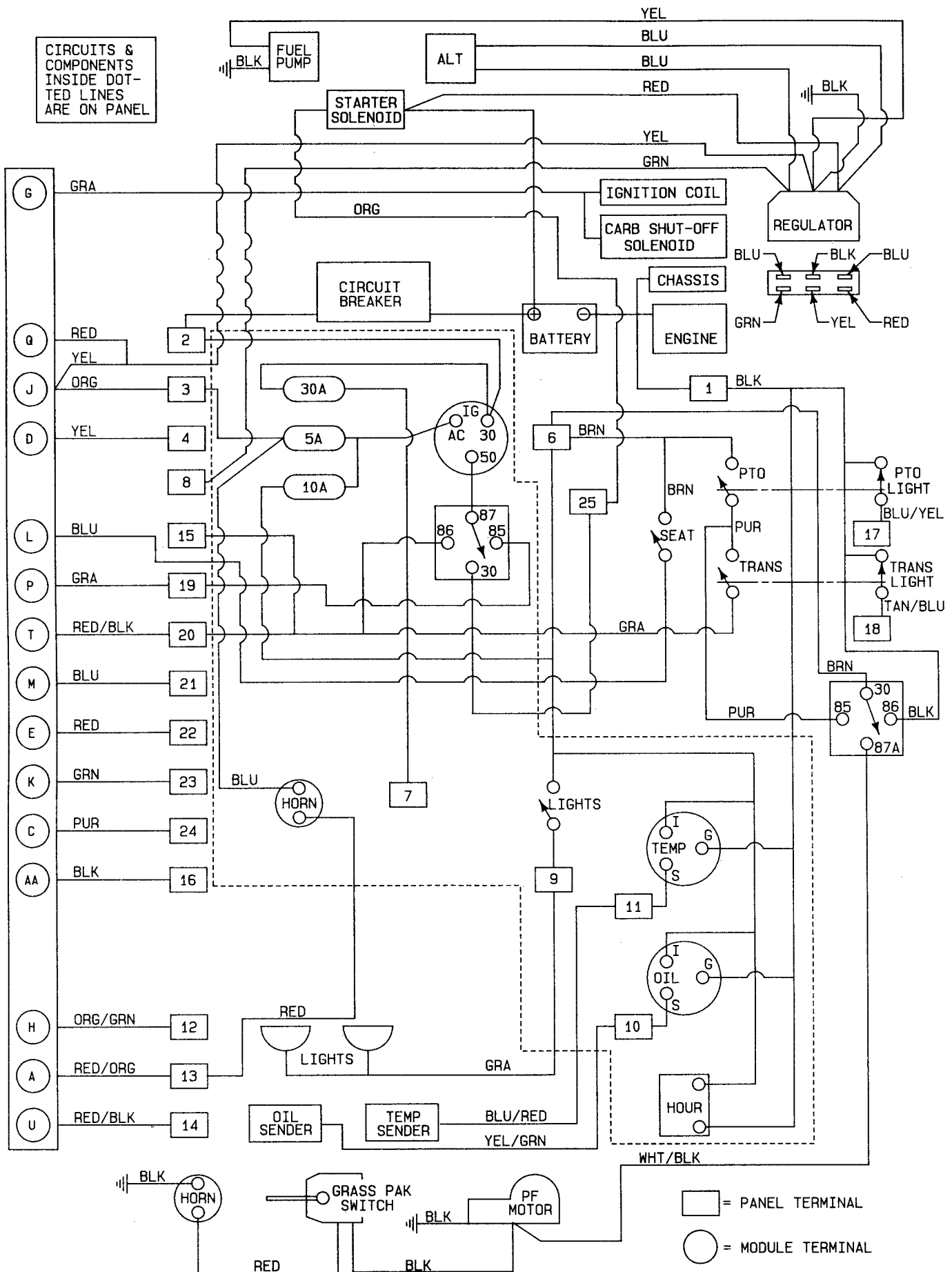
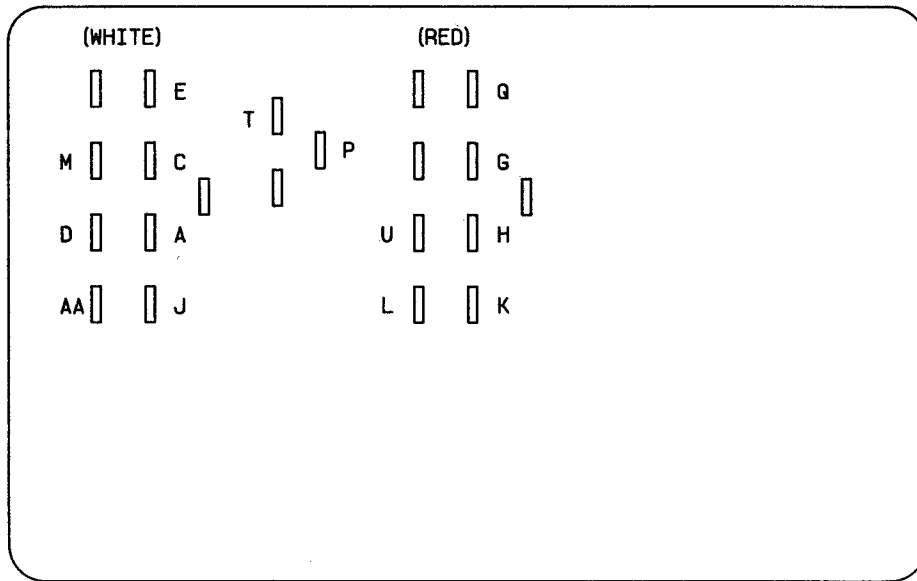


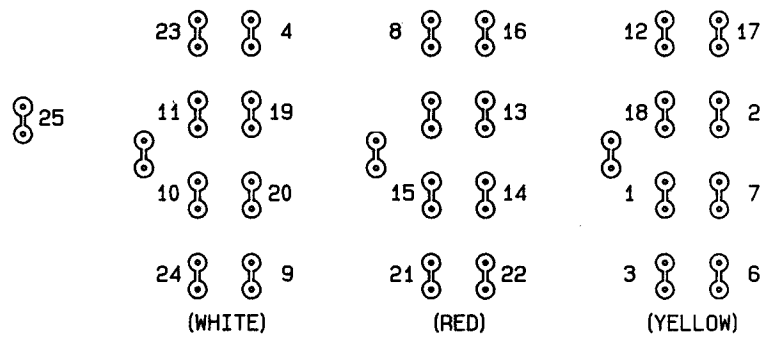
Figure E3 - Wiring Schematic for Model MDG (Gas)

CONTROL MODULE TERMINAL DESIGNATIONS



CONTROL PANEL TERMINAL DESIGNATIONS

VIEWED FROM OPERATOR'S SEAT



- | | |
|-------------------------------------|--------------------------------|
| 1 - BATTERY NEGATIVE | 14 - MODULE TERMINAL U |
| 2 - BATTERY POSITIVE | 15 - TRANSMISSION SWITCH |
| 3 - MODULE TERMINAL J | 16 - MODULE TERMINAL AA |
| 4 - MODULE TERMINAL D | 17 - PTO LIGHT SWITCH |
| 6 - PTO, TRANS, SEAT & RELAY SWITCH | 18 - TRANSMISSION LIGHT SWITCH |
| 7 - OPEN | 19 - MODULE TERMINAL P |
| 8 - ALTERNATOR REGULATOR LIGHT | 20 - MODULE TERMINAL T |
| 9 - LIGHTS | 21 - MODULE TERMINAL M |
| 10 - OIL PRESSURE SENSOR | 22 - MODULE TERMINAL E |
| 11 - WATER TEMP SENSOR | 23 - MODULE TERMINAL K |
| 12 - MODULE TERMINAL H | 24 - MODULE TERMINAL C |
| 13 - MODULE TERMINAL A | 25 - STARTER CONTROL |

Figure E4 - Wire Terminal Designations for Model MDG